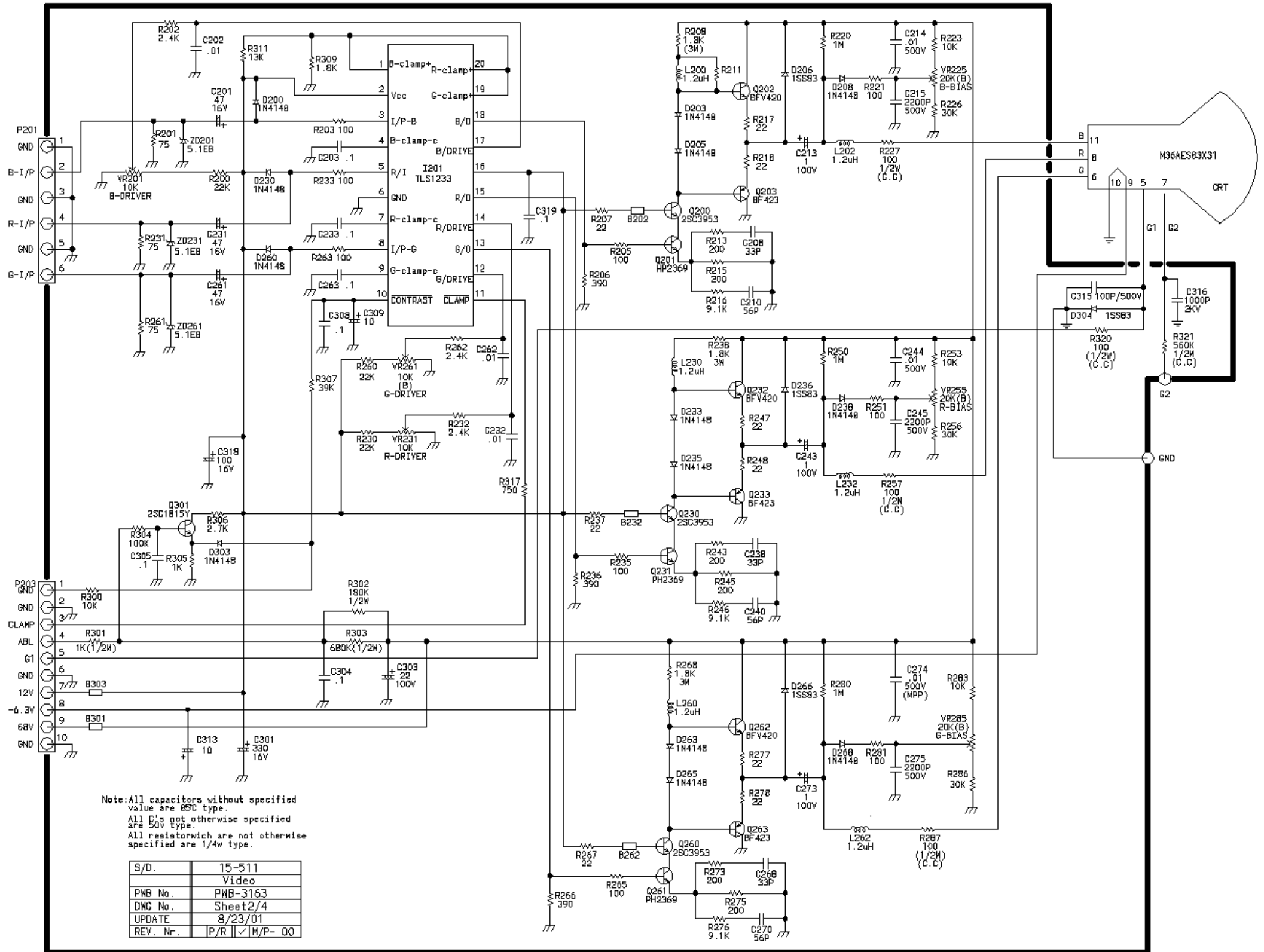
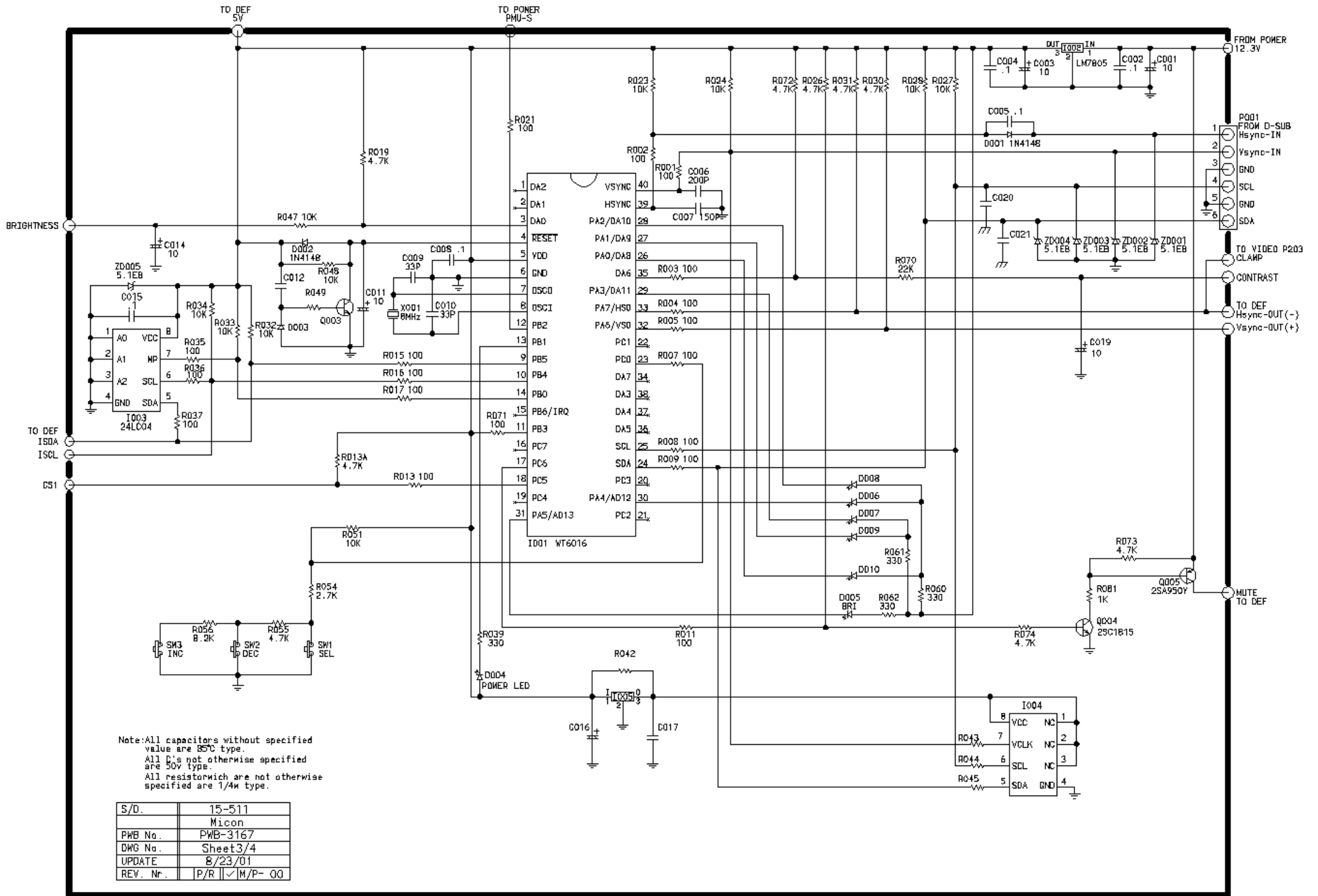


S/D.	15-511
	Power
PWB No.	PWB-3167
DWG No.	8/23/01
UPDATE	Sheet 1/4
REV. Nr.	P/R ✓ M/P- 00

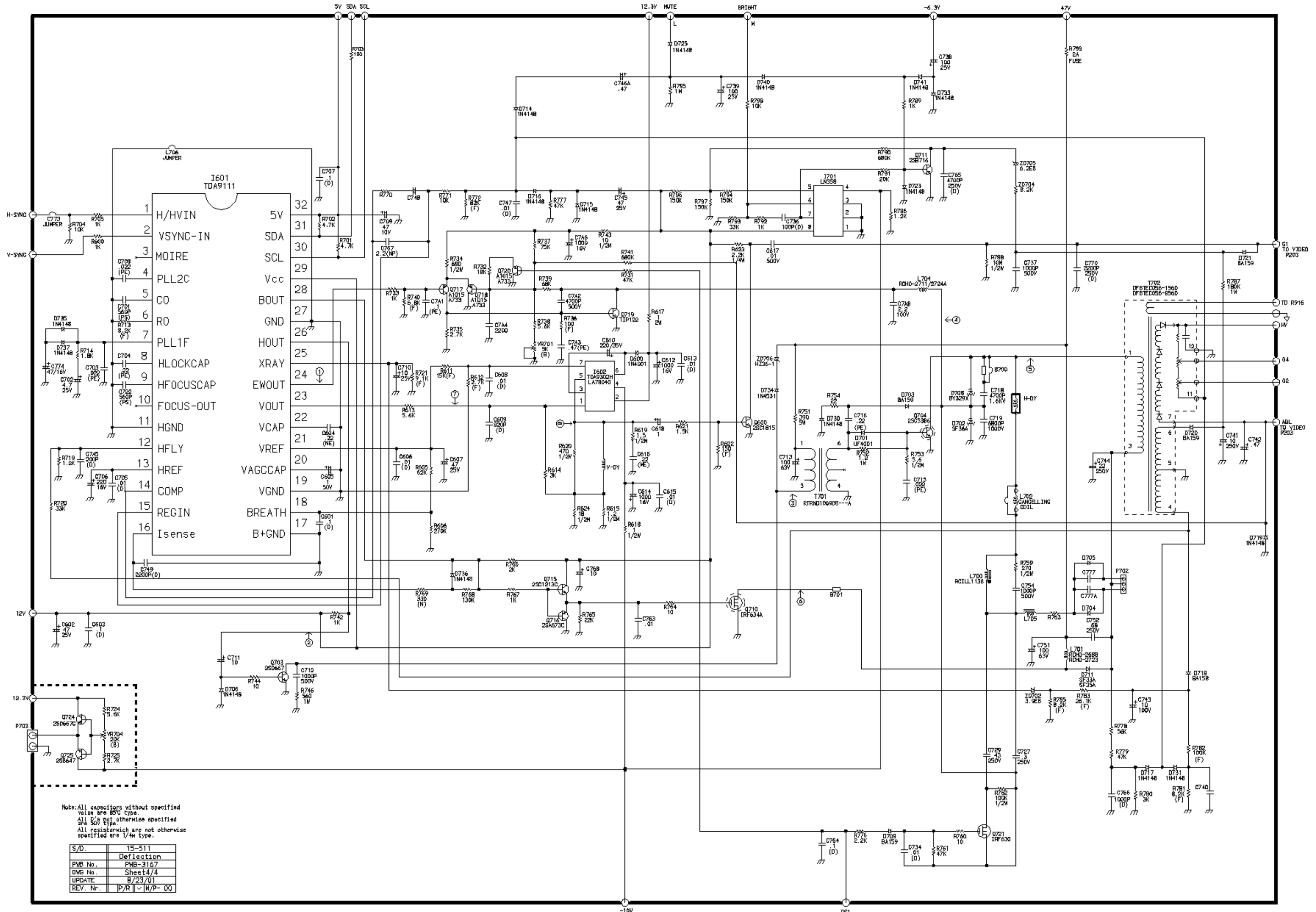
Note: All capacitors without specified value are 85C type.
 All C's not otherwise specified are 50v type.
 All resistors which are not otherwise specified are 1/4w type.





Note: All capacitors without specified value are 85°C type.
 All C's not otherwise specified are 50v type.
 All resistors which are not otherwise specified are 1/4w type.

S/D.	15-511
	Micon
PWB No.	PWB-3167
DWG No.	Sheet3/4
UPDATE	8/23/01
REV. Nr.	P/R ✓ M/P- 00



Note: All capacitors without specified value are 85°C type.
 All C's not otherwise specified are 50V type.
 All resistors which are not otherwise specified are 1/4W type.

S/D.	15-511
PWB No.	PWB-3167
DWG No.	Sheet4/4
UPDATE	8/23/01
REV. Nr.	P/R V W P X