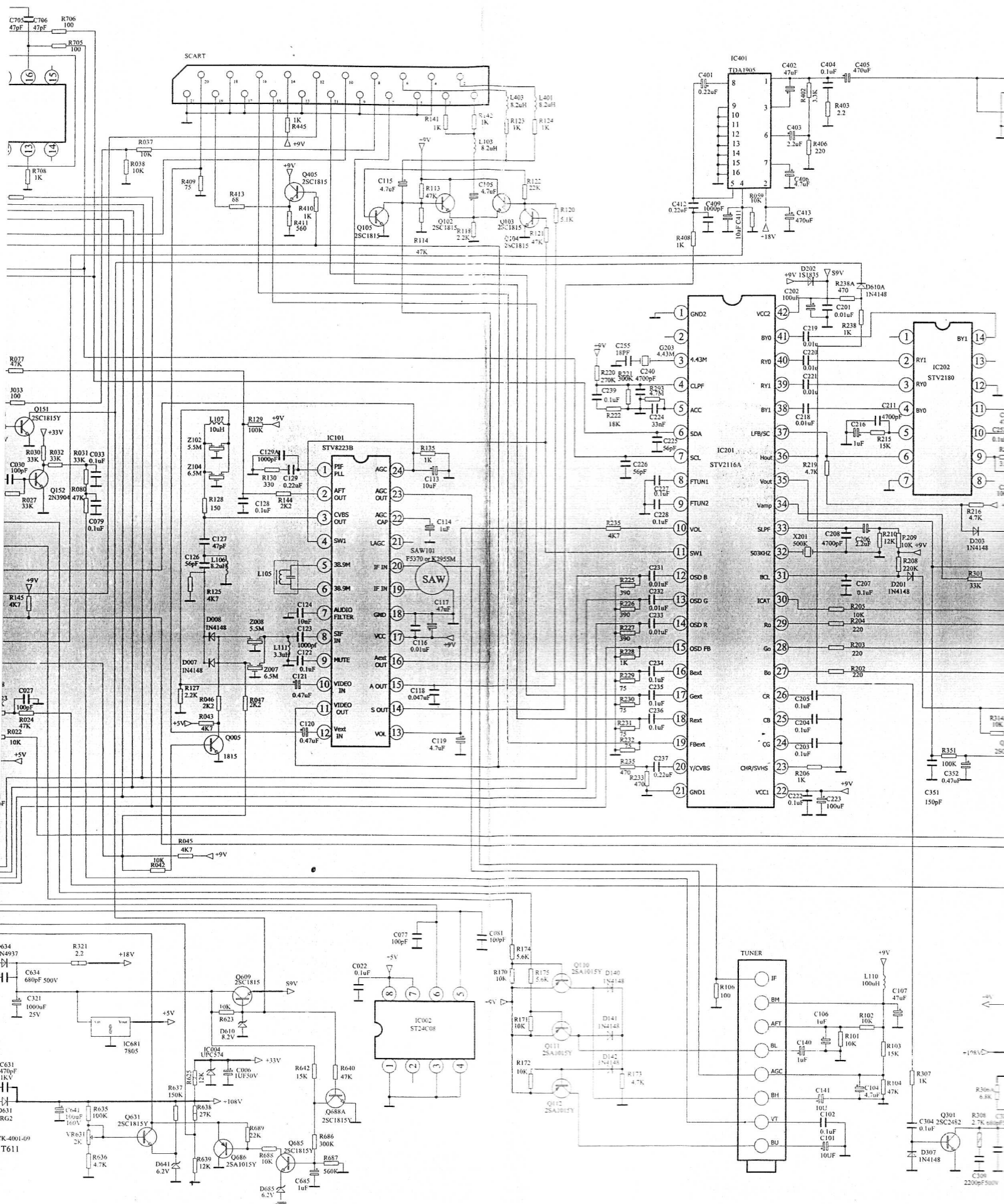
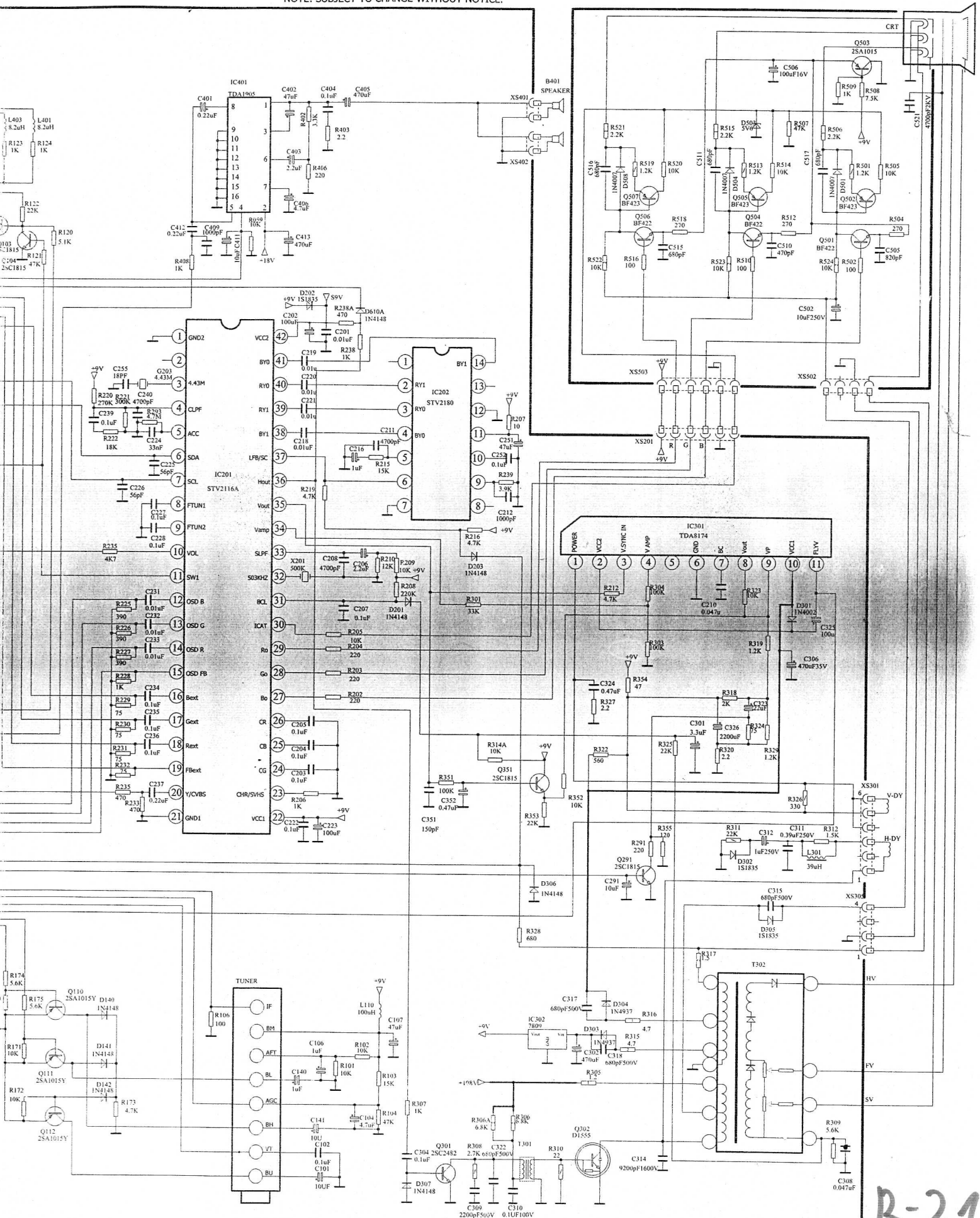


400KM2200PF

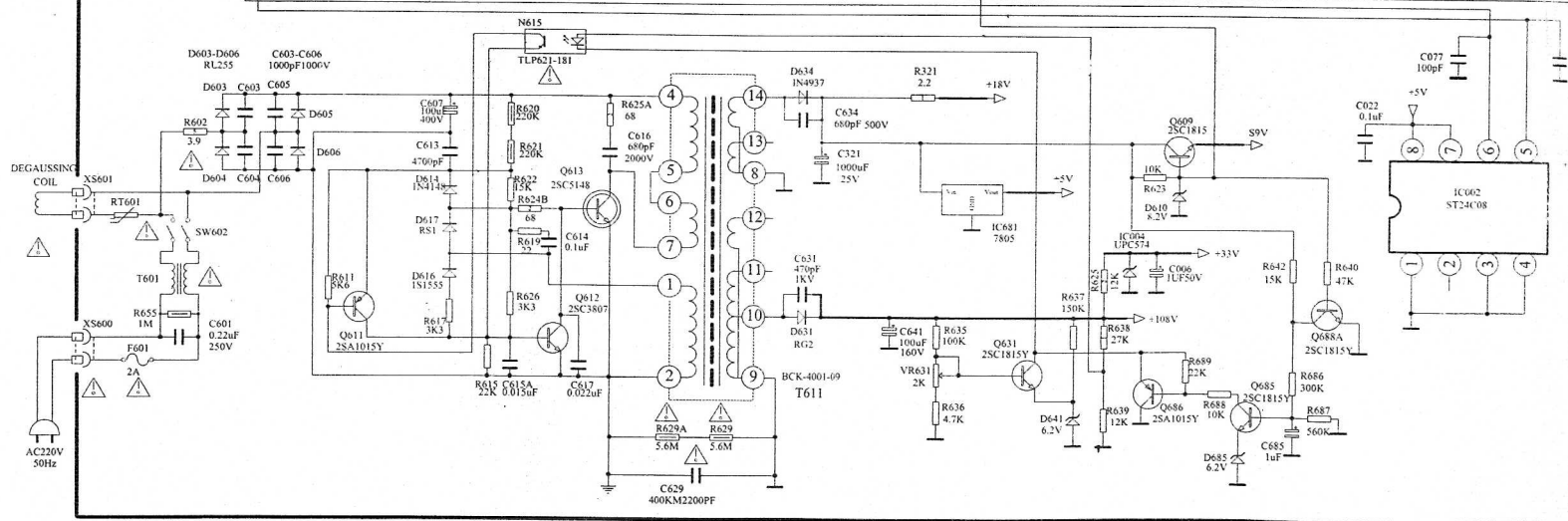
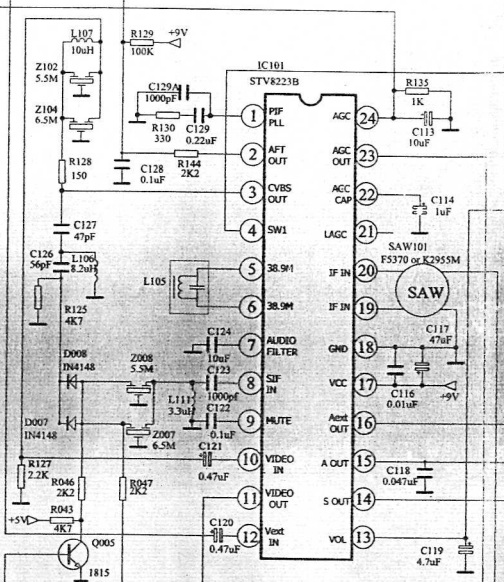
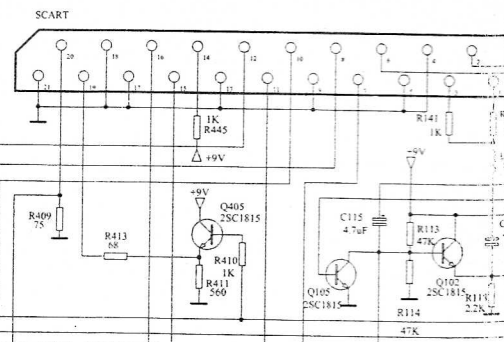
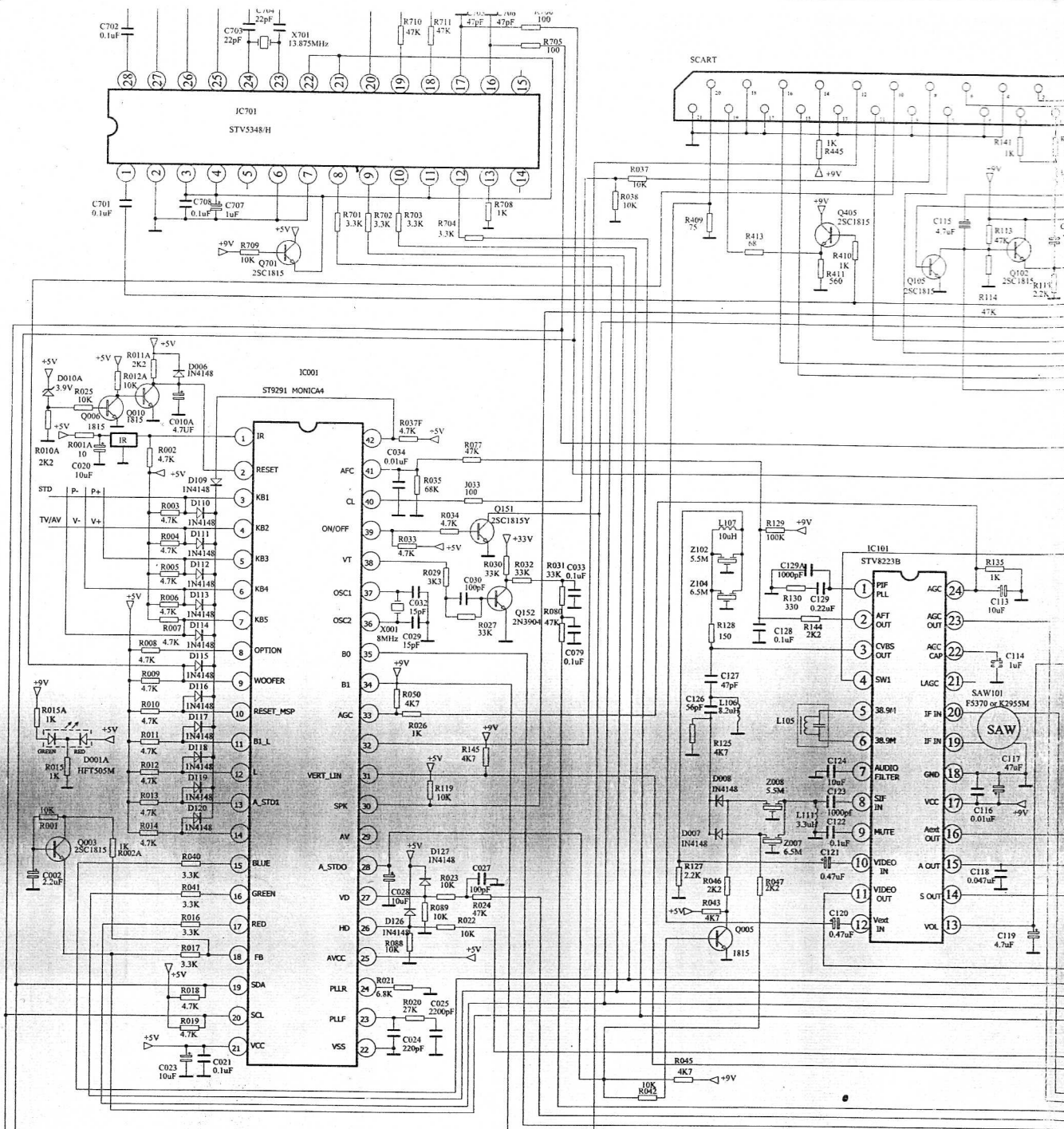
C629

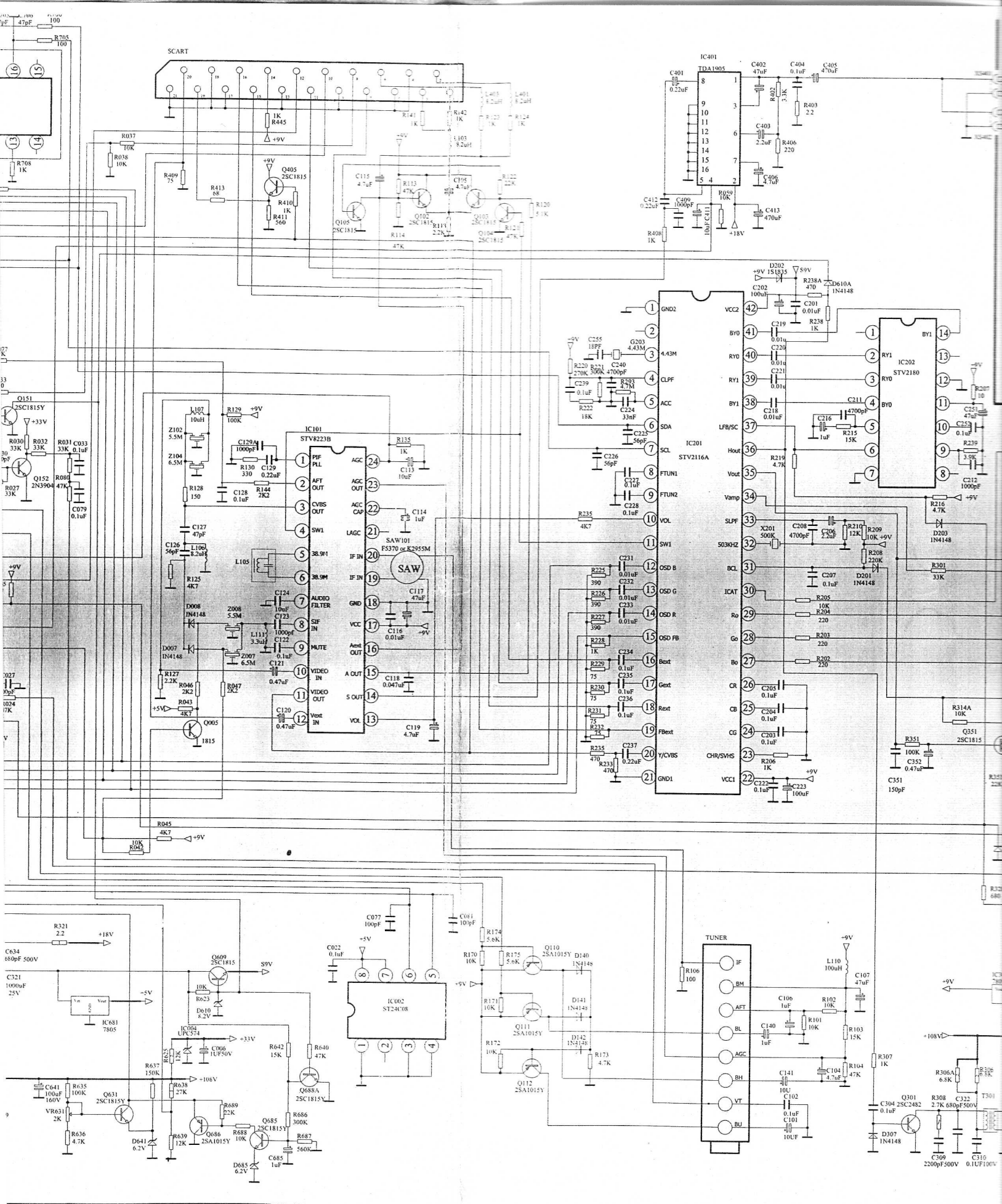


NOTE: SUBJECT TO CHANGE WITHOUT NOTICE.

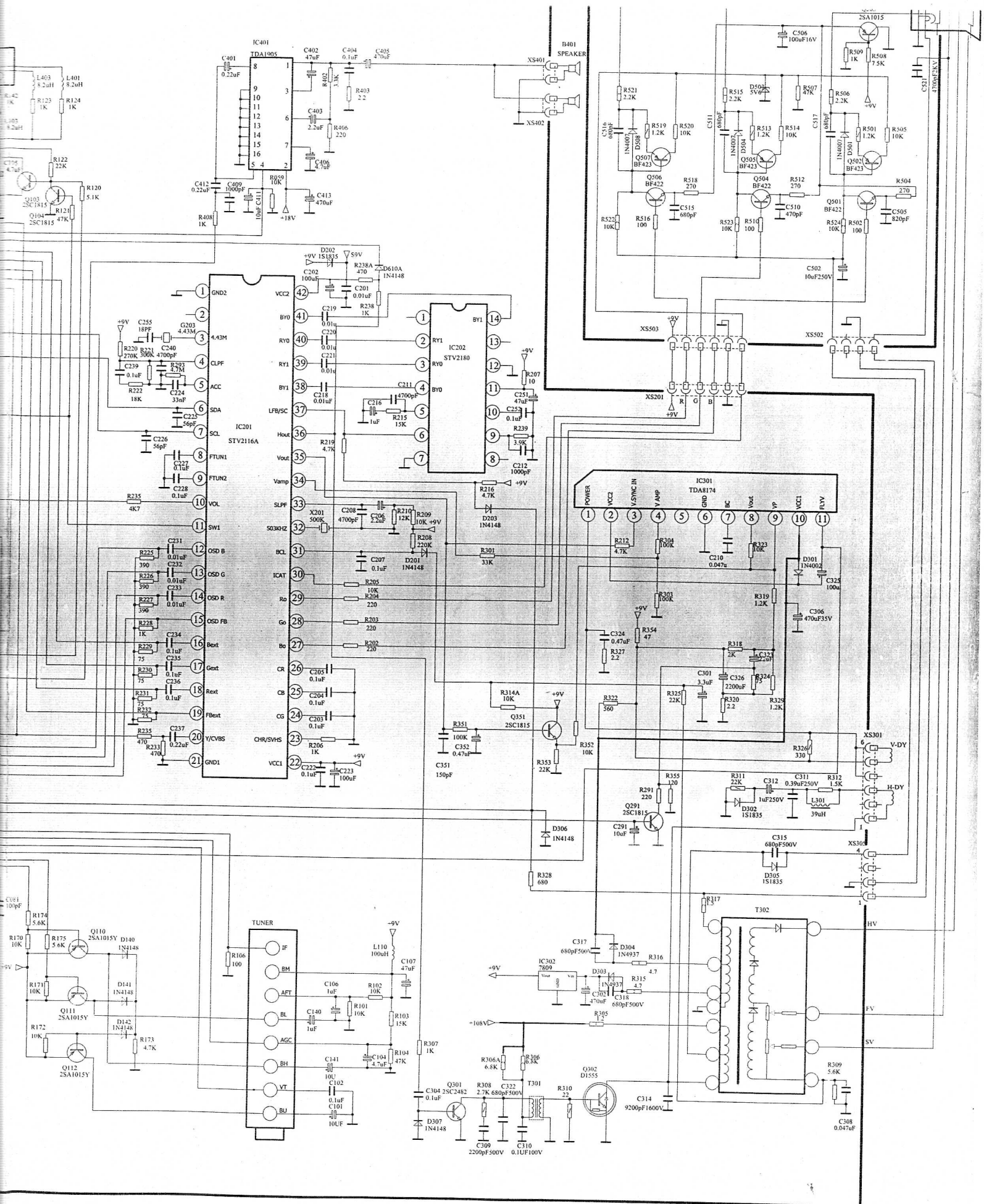


R-21





Royal TV-5599 TX



Royal TV-5599 TXT BIFOMIC R-2A