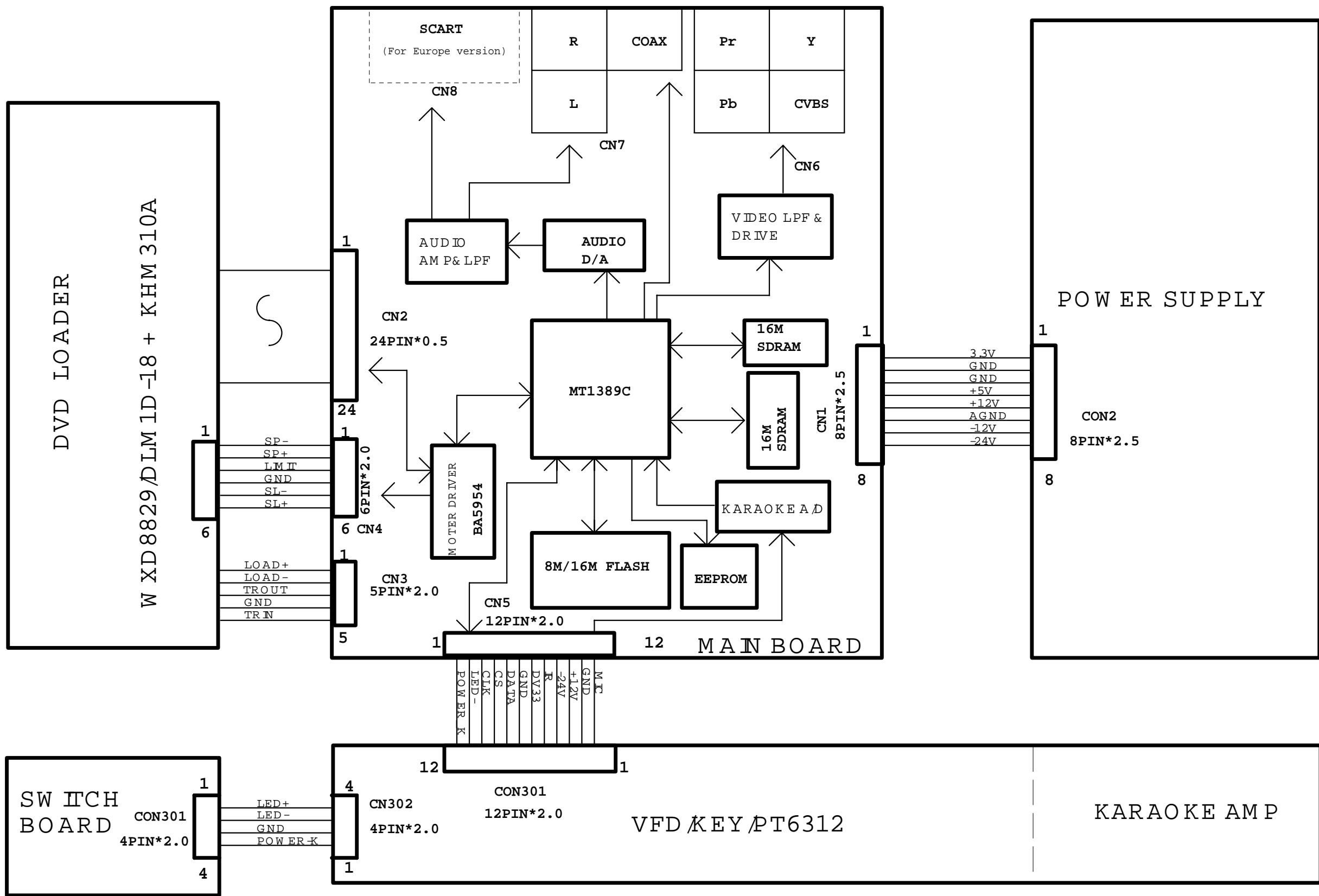
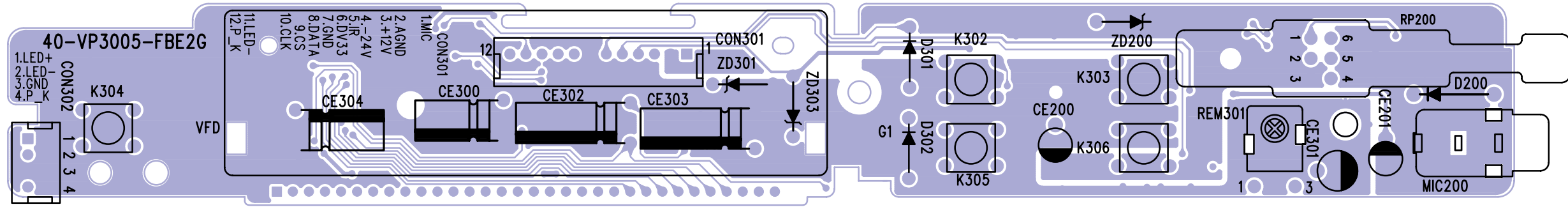


DVP3XXX/XX Wiring & Block Diagram

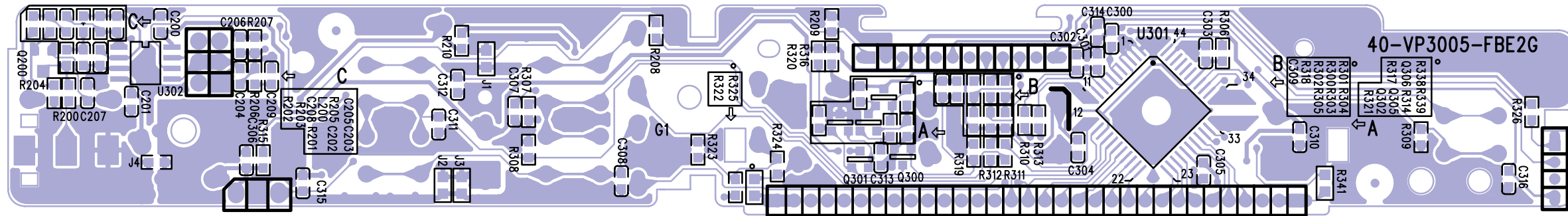


Remarks: DVP 3010, DVP 3005 version have no Karaoke output, Only version DVP 3010 3005 EU hold the SCART output module.

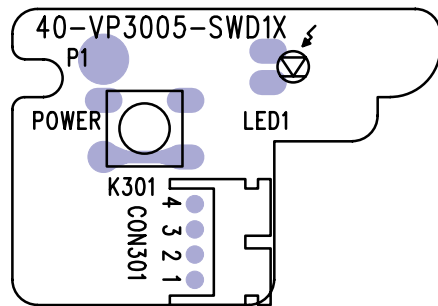
" FrontBoard Top Side



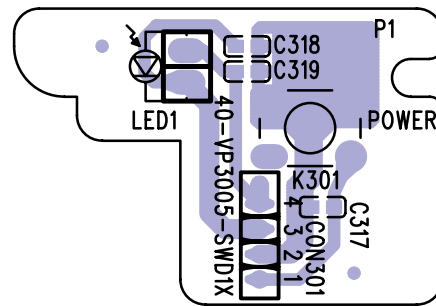
" FrontBoard Bottom Side



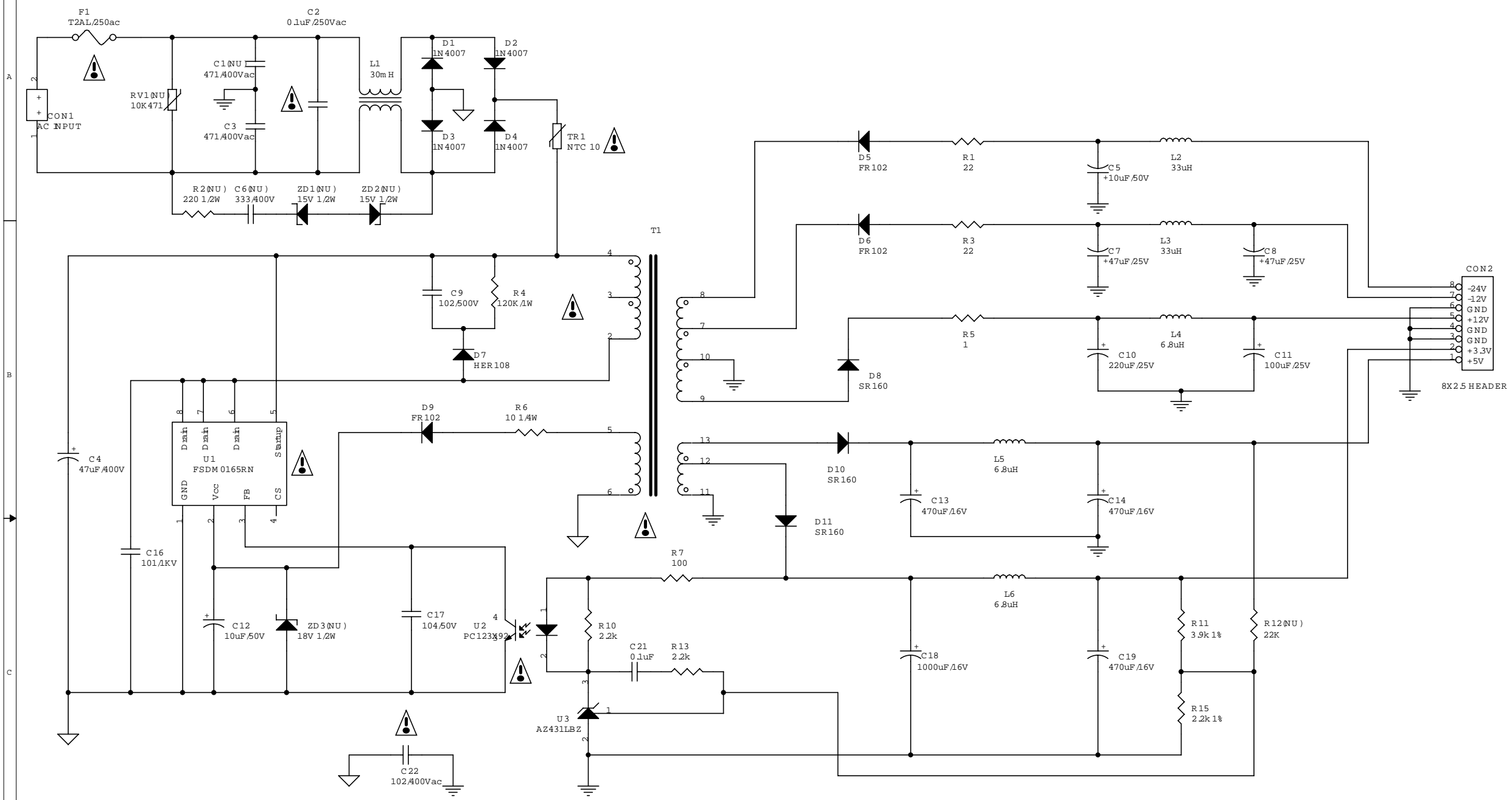
" Sw itch Board Top Side




" Sw itch Board Bottom Side



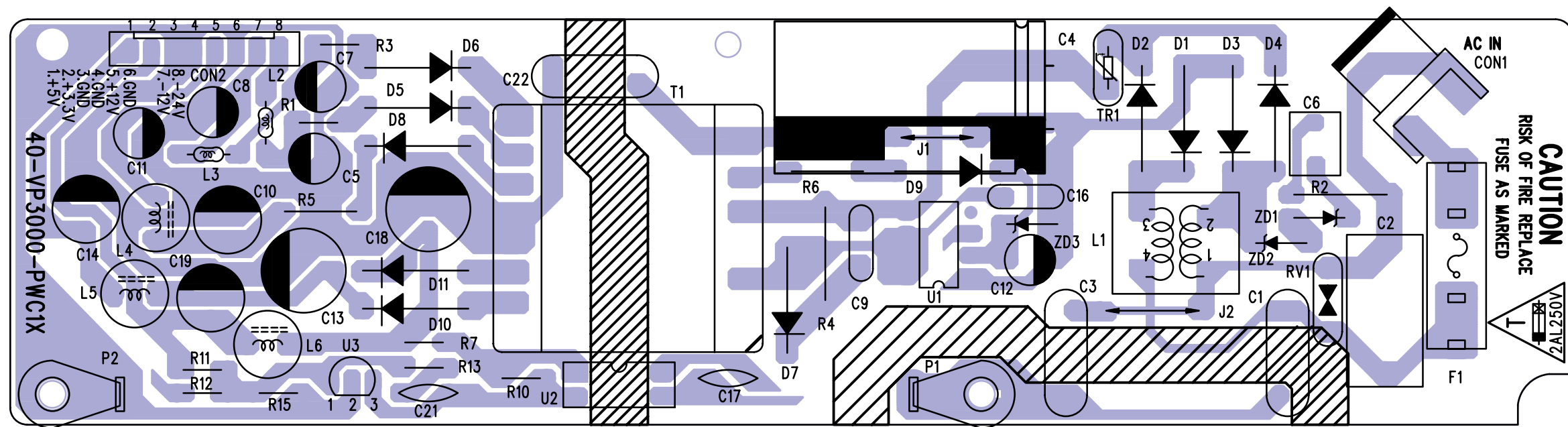
Power supply for DVP 3XXX/XX



| | |
|------|----|
| C1 | A1 |
| C2 | A1 |
| C3 | A1 |
| C4 | B1 |
| C5 | A4 |
| C6 | A1 |
| C7 | B4 |
| C8 | B4 |
| C9 | B2 |
| C10 | B4 |
| C11 | B4 |
| C12 | C1 |
| C13 | B3 |
| C14 | B4 |
| C16 | C1 |
| C17 | C2 |
| C18 | C3 |
| C19 | C4 |
| C22 | C2 |
| C21 | C2 |
| CON1 | A1 |
| CON2 | B5 |
| D1 | A2 |
| D2 | A2 |
| D3 | A2 |
| D4 | A2 |
| D5 | A3 |
| D6 | B3 |
| D7 | B2 |
| D8 | B3 |
| D9 | B2 |
| D10 | B3 |
| D11 | C3 |
| F1 | A1 |
| L1 | A2 |
| L2 | A4 |
| L3 | B4 |
| L4 | B4 |
| L5 | B3 |
| L6 | C3 |
| R1 | A3 |
| R2 | A1 |
| R3 | B3 |
| R4 | B2 |
| R5 | B3 |
| R6 | B2 |
| R7 | C2 |
| R10 | C2 |
| R11 | C4 |
| R12 | C4 |
| R13 | C2 |
| R15 | C4 |
| R17 | C2 |
| RV1 | A1 |
| T1 | B2 |
| TR1 | A2 |
| U1 | B1 |
| U2 | C2 |
| U3 | C2 |
| ZD1 | A1 |
| ZD2 | A2 |
| ZD3 | C1 |

*** CAUTION :**
 THE PARTS MARKED WITH  ARE IMPORTANT PARTS ON THE SAFETY.
 PLEASE USE THE PARTS HAVING THE DESIGNATED PARTS NUMBER WITHOUT FAIL.

" PowerBoard Top Side



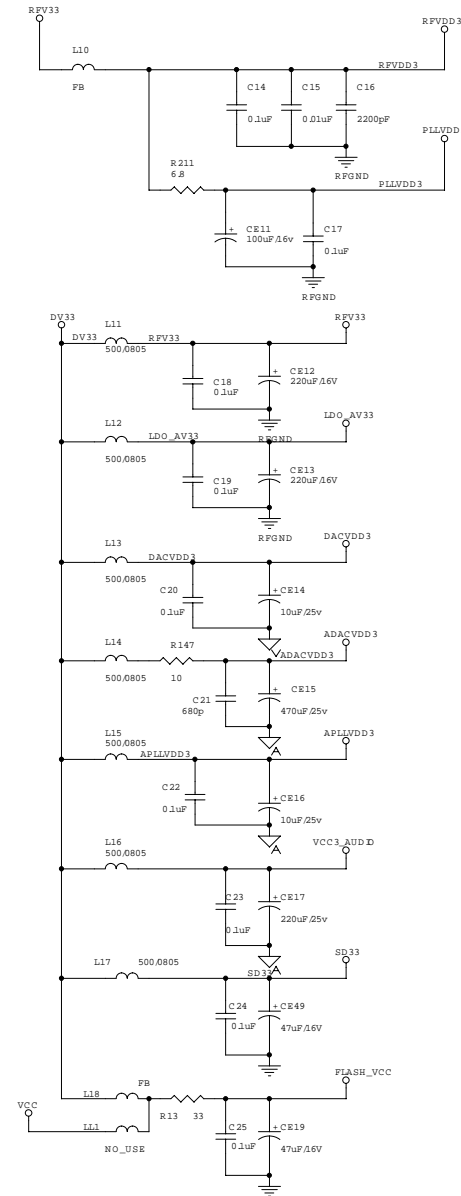
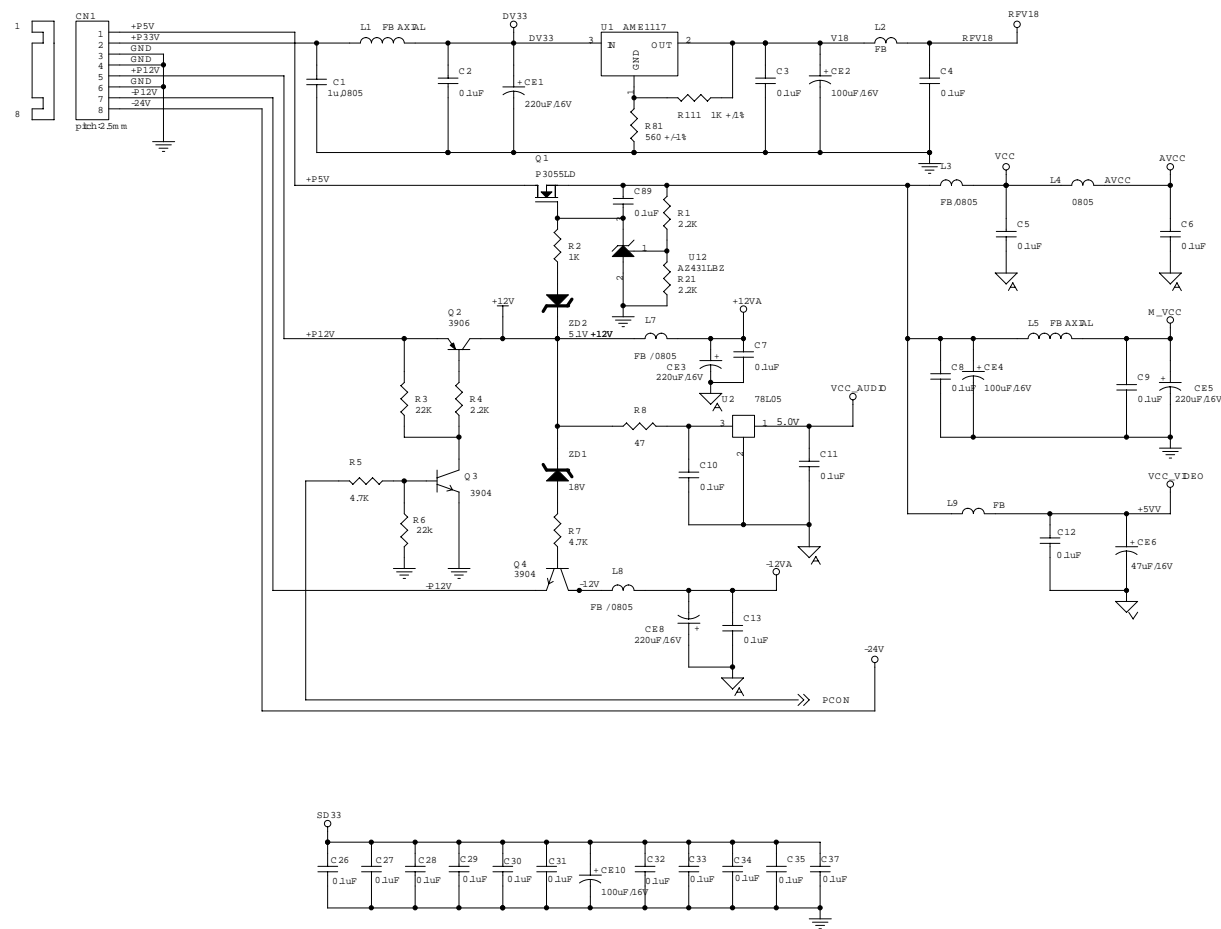
1, INDEX & POWER

for DVP 3000K XX DVP 3005XX DVP 3005K XX

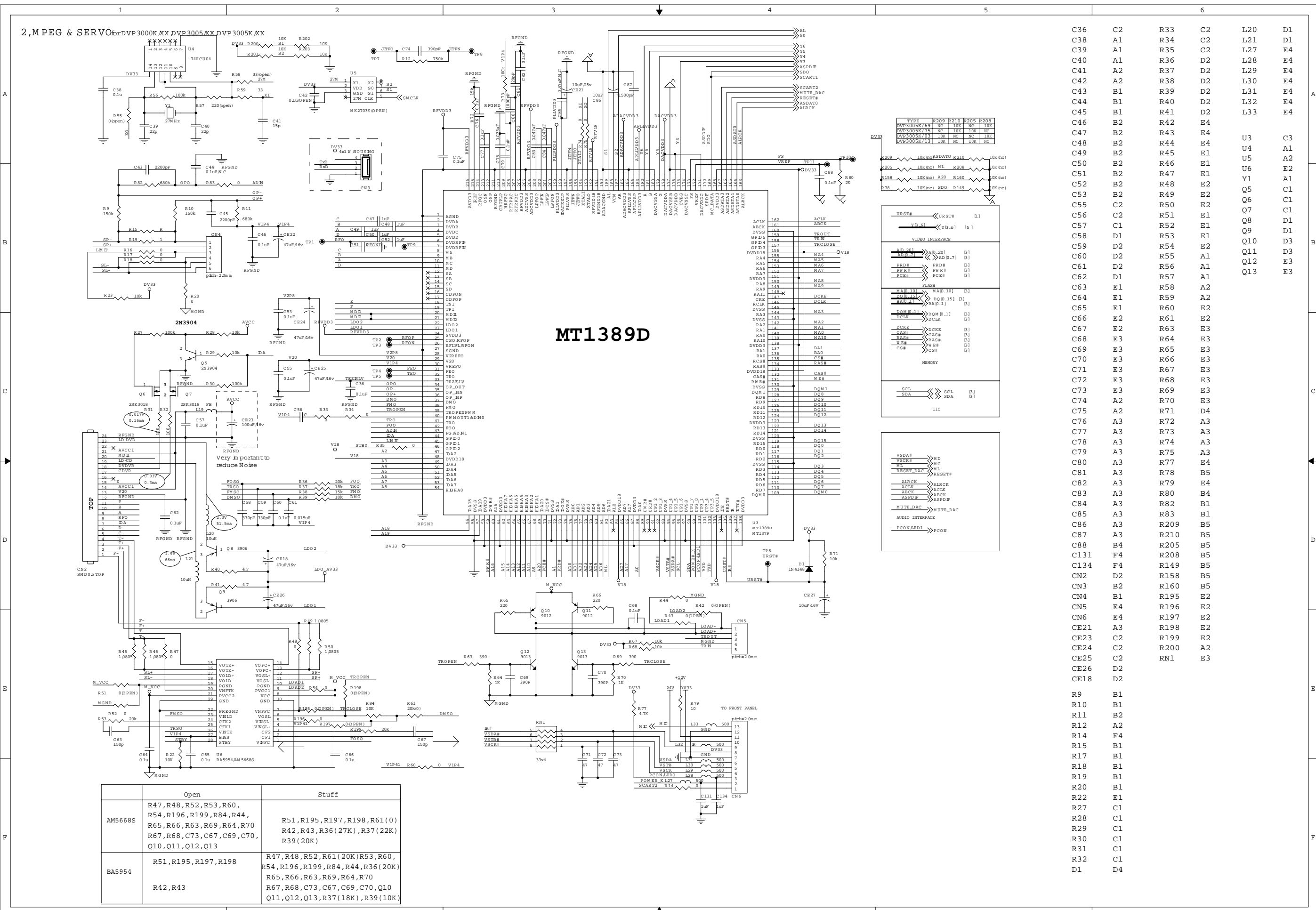
- 1 INDEX & POWER
- 2 RF, SERVO & MPEG - MT1389D
- 3 MEMORY /VIDEO OUT
- 4 AUDIO OUT

| NAME | TYPE | DEVICE |
|----------|------------------|---------------|
| VCC | Digital 5V | SUPPLY |
| DV33 | Digital 3.3V | MT1389D |
| RFV33 | Servo 3.3V | MT1389D |
| LDO_AV33 | Laser Diode 3.3V | |
| AVCC | RF 5V | PICKUP HEADER |
| V18 | Digital 1.8V | MT1389D |
| SD33 | Digital 3.3V | SDRAM |
| +12V | Audio +12V | OP AMP. |
| -12V | Audio -12V | OP AMP. |
| AVDD | Audio 5V | VCC_AUDIO |
| DVDD | Audio 3V3 | VCC3_AUDIO |

TO POWER BOARD

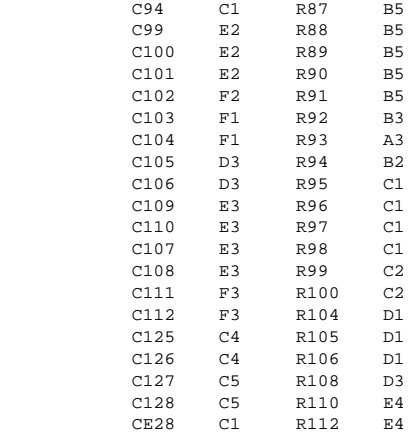
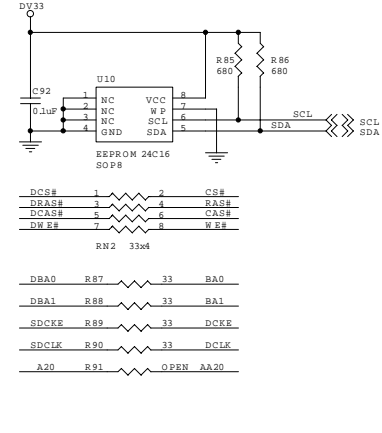
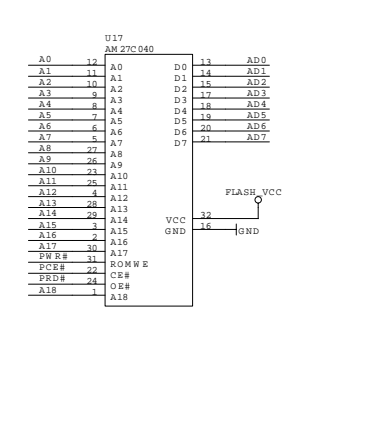
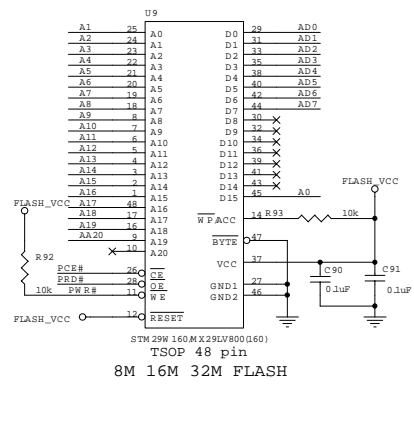
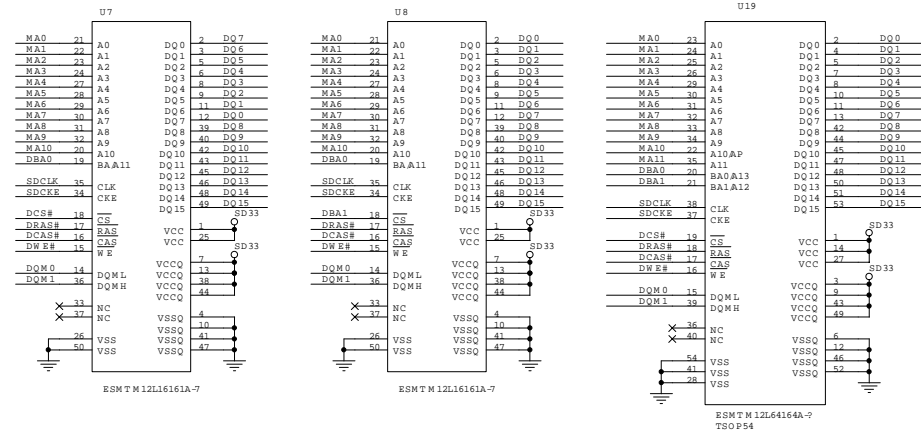


| | | | |
|-----|----|------|----|
| C1 | C2 | CE1 | C2 |
| C2 | C2 | CE2 | C3 |
| C3 | C3 | CE3 | D2 |
| C4 | C3 | CE4 | D3 |
| C5 | D3 | CE5 | D3 |
| C6 | D4 | CE6 | E3 |
| C7 | D3 | CE8 | E2 |
| C8 | D3 | CE10 | F2 |
| C9 | D3 | CE11 | C4 |
| C10 | D3 | CE12 | C5 |
| C11 | D3 | CE13 | C5 |
| C12 | E3 | CE14 | D5 |
| C13 | E3 | CE15 | D5 |
| C14 | B4 | CE16 | D5 |
| C15 | B5 | CE17 | E5 |
| C16 | B5 | CE49 | E5 |
| C17 | B5 | CN1 | C1 |
| C18 | C4 | R1 | D2 |
| C19 | E5 | R2 | D2 |
| C20 | C4 | R3 | D2 |
| C21 | D4 | R4 | D2 |
| C21 | D5 | R5 | D2 |
| C22 | D4 | R6 | E2 |
| C23 | D5 | R7 | E2 |
| C24 | E5 | R8 | D2 |
| C25 | E5 | R13 | E4 |
| C26 | F2 | R21 | D2 |
| C27 | F2 | R81 | C2 |
| C28 | F2 | R111 | C2 |
| C29 | F2 | R147 | D4 |
| C30 | F2 | R211 | B4 |
| C31 | F2 | Q1 | C2 |
| C32 | F2 | Q2 | D2 |
| C33 | F2 | Q3 | D2 |
| C34 | F2 | Q4 | E2 |
| C35 | F3 | U1 | C2 |
| C37 | F3 | U2 | D3 |
| C89 | D2 | U12 | D2 |
| L1 | C2 | | |
| L2 | C3 | ZD1 | D2 |
| L3 | D3 | ZD2 | D2 |
| L4 | D3 | | |
| L5 | D3 | | |
| L7 | D2 | | |
| L8 | E2 | | |
| L9 | E3 | | |
| L10 | B4 | | |
| L11 | C4 | | |
| L12 | C4 | | |
| L13 | C4 | | |
| L14 | D4 | | |
| L15 | D4 | | |
| L16 | D4 | | |
| L17 | E4 | | |
| L18 | E4 | | |

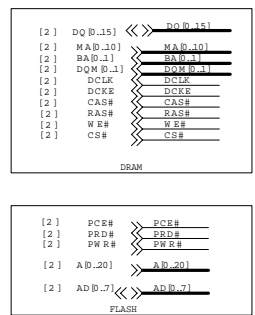


| | | | | | |
|------|----|------|----|-----|----|
| C36 | C2 | R33 | C2 | L20 | D1 |
| C38 | A1 | R34 | C2 | L21 | D1 |
| C39 | A1 | R35 | C2 | L27 | E4 |
| C40 | A1 | R36 | D2 | L28 | E4 |
| C41 | A2 | R37 | D2 | L29 | E4 |
| C42 | A2 | R38 | D2 | L30 | E4 |
| C43 | B1 | R39 | D2 | L31 | E4 |
| C44 | B1 | R40 | D2 | L32 | E4 |
| C45 | B1 | R41 | D2 | L33 | E4 |
| C46 | B2 | R42 | E4 | | |
| C47 | B2 | R43 | E4 | U3 | C3 |
| C48 | B2 | R44 | E4 | U4 | A1 |
| C49 | B2 | R45 | E1 | U5 | A2 |
| C50 | B2 | R46 | E1 | U6 | E2 |
| C51 | B2 | R47 | E1 | Y1 | A1 |
| C52 | B2 | R48 | E2 | Q5 | C1 |
| C53 | B2 | R49 | E2 | Q6 | C1 |
| C55 | C2 | R50 | E2 | Q7 | C1 |
| C56 | C2 | R51 | E1 | Q8 | D1 |
| C57 | C1 | R52 | E1 | Q9 | D1 |
| C58 | D1 | R53 | E1 | Q10 | D3 |
| C59 | D2 | R54 | E2 | Q11 | D3 |
| C60 | D2 | R55 | A1 | Q12 | E3 |
| C61 | D2 | R56 | A1 | Q13 | E3 |
| C62 | D1 | R57 | A1 | | |
| C63 | E1 | R58 | A2 | | |
| C64 | E1 | R59 | A2 | | |
| C65 | E1 | R60 | E2 | | |
| C66 | E2 | R61 | E2 | | |
| C67 | E2 | R63 | E3 | | |
| C68 | E3 | R64 | E3 | | |
| C69 | E3 | R65 | E3 | | |
| C70 | E3 | R66 | E3 | | |
| C71 | E3 | R67 | E3 | | |
| C72 | E3 | R68 | E3 | | |
| C73 | E3 | R69 | E3 | | |
| C74 | A2 | R70 | E3 | | |
| C75 | A2 | R71 | D4 | | |
| C76 | A3 | R72 | A3 | | |
| C77 | A3 | R73 | A3 | | |
| C78 | A3 | R74 | A3 | | |
| C79 | A3 | R75 | A3 | | |
| C80 | A3 | R77 | E4 | | |
| C81 | A3 | R78 | B5 | | |
| C82 | A3 | R79 | E4 | | |
| C83 | A3 | R80 | B4 | | |
| C84 | A3 | R82 | B1 | | |
| C85 | A3 | R83 | B1 | | |
| C86 | A3 | R209 | B5 | | |
| C87 | A3 | R210 | B5 | | |
| C88 | B4 | R205 | B5 | | |
| C131 | F4 | R208 | B5 | | |
| C134 | F4 | R149 | B5 | | |
| CN2 | D2 | R158 | B5 | | |
| CN3 | B2 | R160 | B5 | | |
| CN4 | B1 | R195 | E2 | | |
| CN5 | E4 | R196 | E2 | | |
| CN6 | E4 | R197 | E2 | | |
| CE21 | A3 | R198 | E2 | | |
| CE23 | C2 | R199 | E2 | | |
| CE24 | C2 | R200 | A2 | | |
| CE25 | C2 | RN1 | E3 | | |
| CE26 | D2 | | | | |
| CE18 | D2 | | | | |
| R9 | B1 | | | | |
| R10 | B1 | | | | |
| R11 | B2 | | | | |
| R12 | A2 | | | | |
| R14 | F4 | | | | |
| R15 | B1 | | | | |
| R17 | B1 | | | | |
| R18 | B1 | | | | |
| R19 | B1 | | | | |
| R20 | B1 | | | | |
| R22 | E1 | | | | |
| R27 | C1 | | | | |
| R28 | C1 | | | | |
| R29 | C1 | | | | |
| R30 | C1 | | | | |
| R31 | C1 | | | | |
| R32 | C1 | | | | |
| D1 | D4 | | | | |

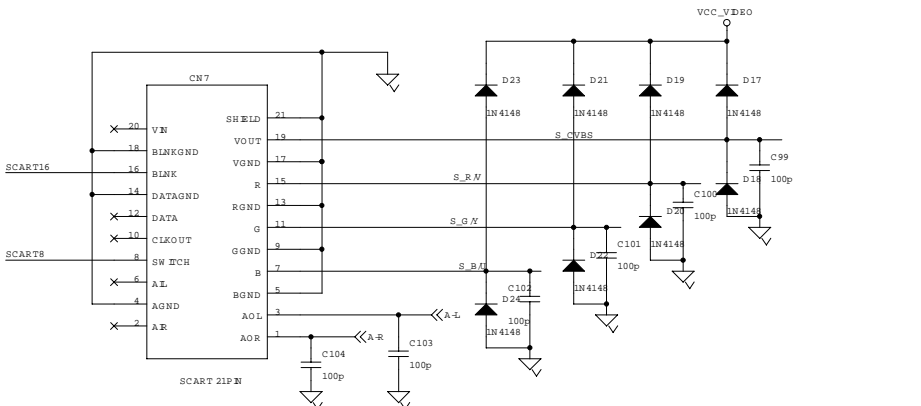
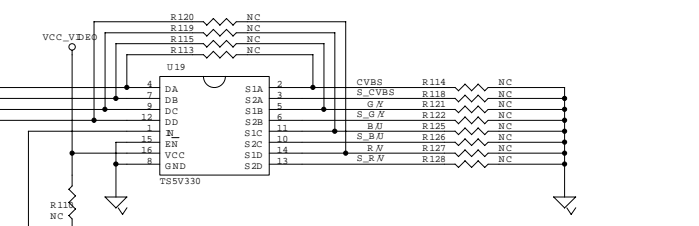
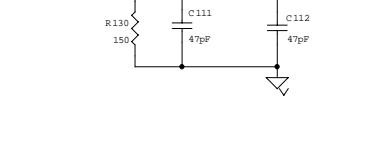
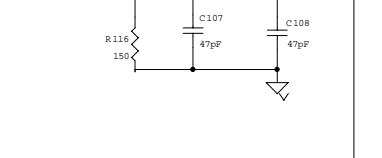
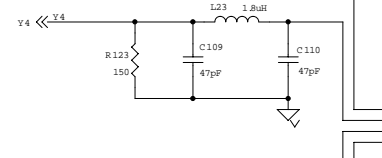
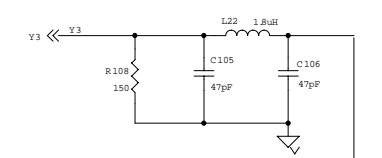
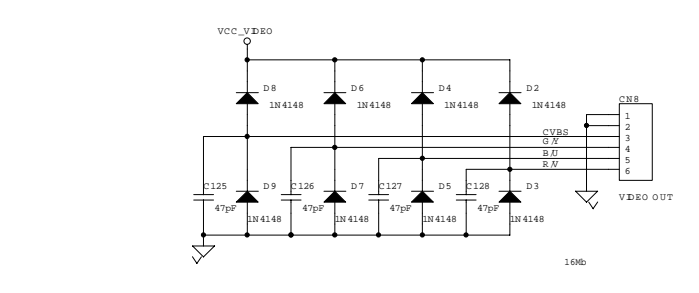
3,SDRAM FLASH VIDE FILTER & SCART OUT PUT
for DVP3000K XX DVP3005XX DVP3005K XX



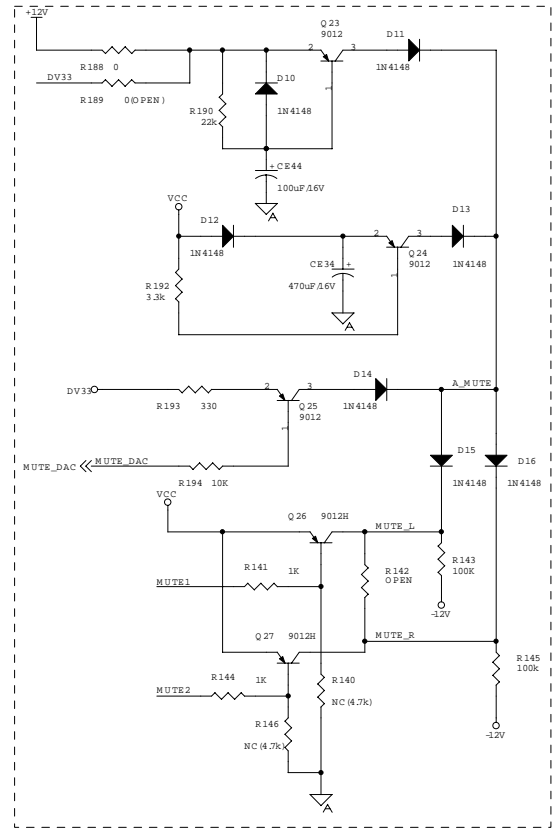
| SCART1 | SCART2 | SCART8 | SCART16 |
|--------|--------|---------------------|-------------|
| 1 | 0 | 12V (9.5V -12V 4:3) | 3V (RGB) |
| 1 | 1 | 6V (5V -8V 16:9) | 3V (RGB) |
| 0 | 0 | 0V TV M ODE | 0V (CVBS) |



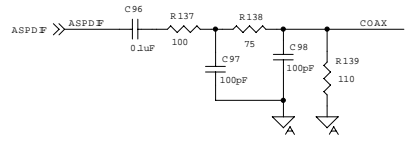
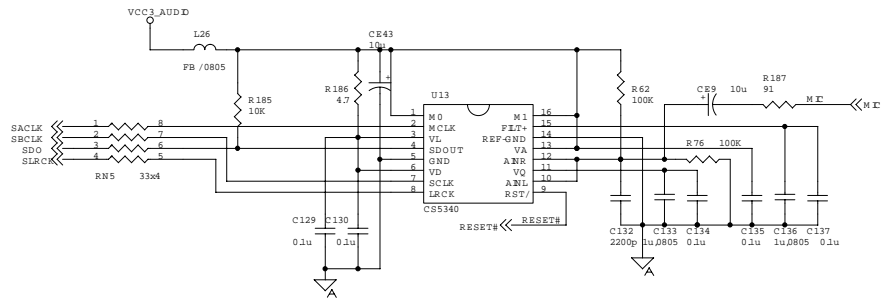
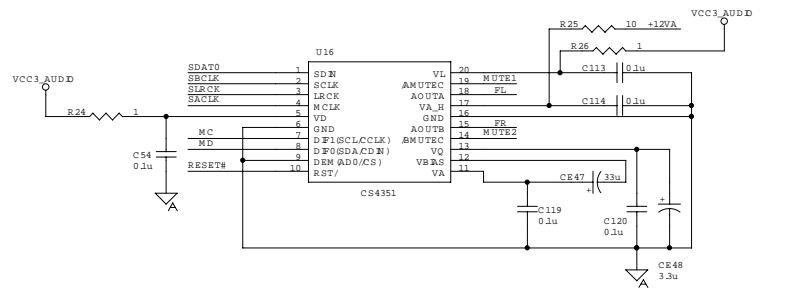
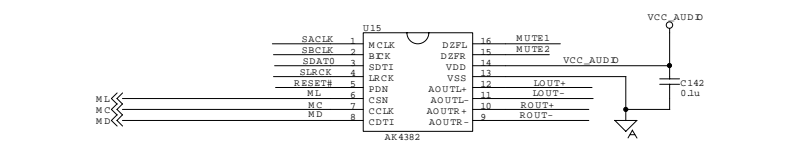
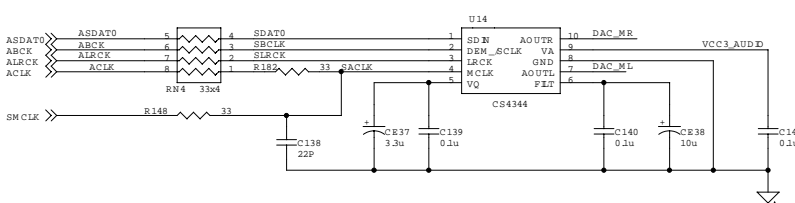
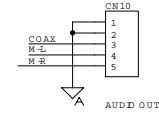
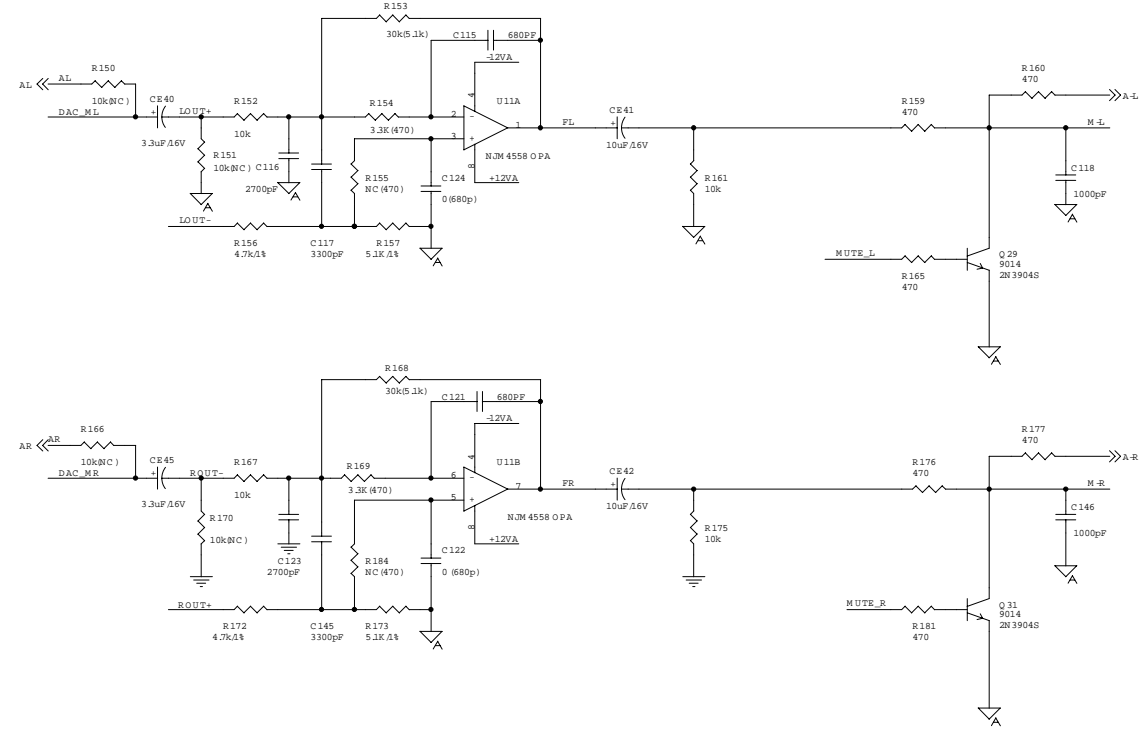
- C92 A5 R85 A5
- C93 C2 R86 A5
- C94 C1 R87 B5
- C99 E2 R88 B5
- C100 E2 R89 B5
- C101 E2 R90 B5
- C102 F2 R91 B5
- C103 F1 R92 B3
- C104 F1 R93 A3
- C105 D3 R94 B2
- C106 D3 R95 C1
- C109 E3 R96 C1
- C110 E3 R97 C1
- C107 E3 R98 C1
- C108 E3 R99 C2
- C111 F3 R100 C2
- C112 F3 R104 D1
- C125 C4 R105 D1
- C126 C4 R106 D1
- C127 C5 R108 D3
- C128 C5 R110 E4
- CE28 C1 R112 E4
- CE29 C2 R113 D4
- CN7 E1 R114 E5
- CN8 C5 R115 D4
- Q14 B1 R116 E3
- Q16 C1 R118 E5
- Q17 D1 R119 D4
- Q19 C1 R120 D4
- Q20 C1 R122 E5
- D2 C5 R123 E3
- D3 C5 R125 E5
- D4 C5 R126 E5
- D5 C5 R127 E5
- D6 C5 R128 E5
- D7 C5 R129 C1
- D8 C4 R130 F3
- D9 C4 R132 C1
- D17 E2 RN2 A5
- D18 E2 U7 A1
- D19 E2 U8 A2
- D20 E2 U9 A3
- D21 E2 U10 A5
- D22 F2 U12 E4
- D23 E2 U17 A4
- L22 D3 U19 A2
- L23 D3
- L24 E3
- L25 F3



4, AUDD FILTER & OUT PUT
for DVP3000K XX DVP3005 XX DVP3005K XX



mute circuit

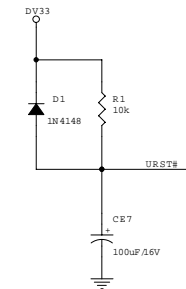
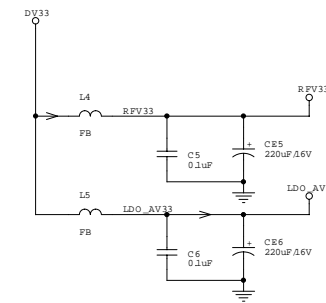
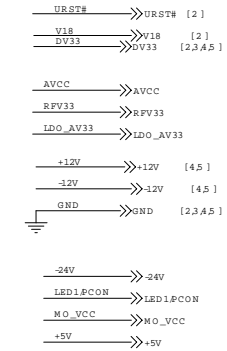
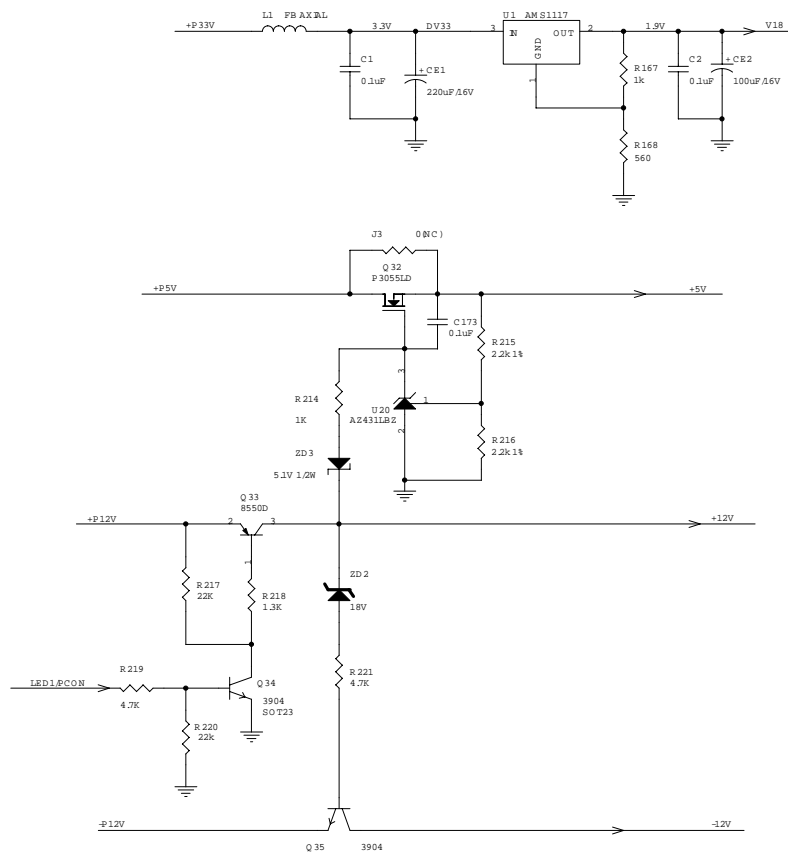
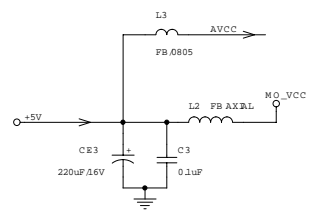
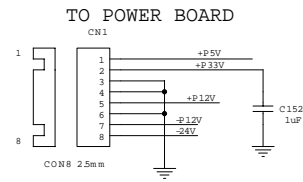


| | | | |
|------|----|------|----|
| R24 | D1 | C54 | D1 |
| R25 | D2 | C96 | D3 |
| R26 | D2 | C97 | D4 |
| R62 | D4 | C98 | D2 |
| R76 | D4 | C113 | D2 |
| R137 | D3 | C114 | A2 |
| R138 | D4 | C115 | A3 |
| R139 | D4 | C116 | A3 |
| R140 | B1 | C117 | A3 |
| R141 | B1 | C118 | A4 |
| R142 | B1 | C119 | D2 |
| R143 | B2 | C120 | D2 |
| R144 | B1 | C121 | B3 |
| R145 | B2 | C122 | B3 |
| R148 | C1 | C124 | A3 |
| R150 | A2 | C129 | D3 |
| R151 | A2 | C130 | D4 |
| R152 | A3 | C132 | D4 |
| R153 | A3 | C133 | D4 |
| R154 | A3 | C134 | D4 |
| R155 | A3 | C135 | D4 |
| R156 | A3 | C136 | D4 |
| R157 | A3 | C137 | D5 |
| R159 | A4 | C138 | C1 |
| R160 | A4 | C139 | C1 |
| R161 | A4 | C140 | C2 |
| R165 | A4 | C141 | C2 |
| R166 | B2 | C142 | D2 |
| R167 | B3 | C145 | B3 |
| R168 | B3 | C146 | B4 |
| R169 | B3 | | |
| R170 | B3 | CE9 | C4 |
| R172 | B2 | CE37 | C1 |
| R173 | B3 | CE38 | C2 |
| R175 | B4 | CE40 | A2 |
| R176 | B4 | CE41 | A3 |
| R177 | B4 | CE43 | C4 |
| R181 | B4 | CE42 | B3 |
| R184 | B3 | CE45 | B2 |
| R185 | C3 | CE47 | D2 |
| R186 | C4 | CE48 | D2 |
| R187 | D4 | CN10 | B5 |
| R188 | A1 | | |
| R189 | A1 | Q23 | A1 |
| R190 | A1 | Q24 | A2 |
| R192 | A1 | Q25 | B1 |
| R193 | B1 | Q26 | B1 |
| R194 | B1 | Q27 | B1 |
| RN5 | D3 | Q29 | B4 |
| RN4 | C1 | Q31 | B4 |
| D10 | A1 | L26 | C3 |
| D11 | A2 | U11 | A3 |
| D12 | A1 | U13 | D4 |
| D13 | A2 | U14 | C2 |
| D14 | A1 | U15 | C1 |
| D15 | B2 | U16 | D1 |
| D16 | B2 | | |

1, INDEX & POWER RESET
For DVP3010XX

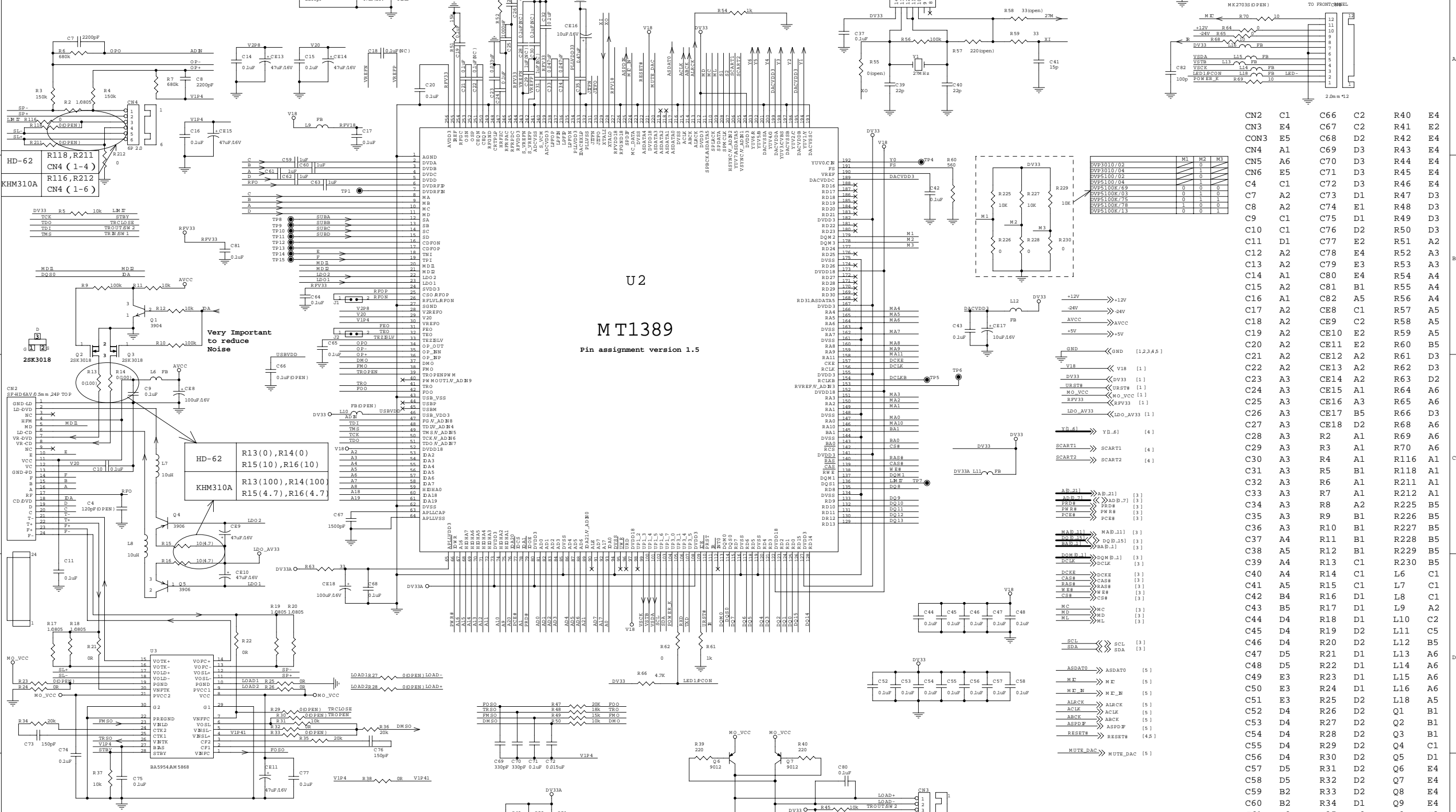
- 1 INDEX & POWER, RESET
- 2 RF, SERVO & MPEG - MT1389C&MT1389EE
- 3 MEMORY - SDRAM, FLASH/EEPROM, VIDEO OUT
- 4 AUDIO DAC & AUDIO OUT
- 5 FRONT BOARD
- 6 POWER SUPPLY

| NAME | TYPE | DEVICE |
|-------|--------------|---------------|
| VCC | Digital 5V | SUPPLY |
| DV33 | Digital 3.3V | MT1389E |
| RFV33 | Servo 3.3V | MT1389E |
| AVCC | RF 5V | PICKUP HEADER |
| V18 | Digital 1.8V | MT1389E |
| +12V | Audio +12V | OP AMP. |
| -12V | Audio -12V | OP AMP. |
| +5V | Servo 5V | Motor drive |
| -24V | VFD | VFD Drive |



- CN1 D1
- R1 E5
- R167 C3
- R168 C3
- R169 D3
- R214 D3
- R215 D3
- R216 D3
- R217 E3
- R218 E3
- R219 E2
- R220 E3
- R221 E3
- ZD2 E3
- ZD3 E3
- D1 E5
- C1 C3
- C2 C4
- C3 E1
- C5 D5
- C6 D5
- C152 C2
- C173 D3
- CE1 C3
- CE2 C4
- CE3 E1
- CE5 C5
- CE6 D5
- CE7 E5
- L1 C3
- L2 E1
- L3 E1
- L4 C5
- L5 D5
- Q32 D3
- Q33 E3
- Q34 E3
- Q35 F3
- U1 C3
- U20 D3

2. MEG & SERVO
ForDVP3010XX



U2
MT1389
Pin assignment version 1.5

| Pin | M1 | M2 | M3 |
|------------|----|----|----|
| DVP3010/02 | 1 | 1 | 1 |
| DVP3010/04 | 1 | 1 | 1 |
| DVP3010/06 | 1 | 1 | 1 |
| DVP3010/08 | 1 | 1 | 1 |
| DVP3010/10 | 1 | 1 | 1 |
| DVP3010/12 | 1 | 1 | 1 |
| DVP3010/14 | 1 | 1 | 1 |
| DVP3010/16 | 1 | 1 | 1 |
| DVP3010/18 | 1 | 1 | 1 |
| DVP3010/20 | 1 | 1 | 1 |
| DVP3010/22 | 1 | 1 | 1 |
| DVP3010/24 | 1 | 1 | 1 |
| DVP3010/26 | 1 | 1 | 1 |
| DVP3010/28 | 1 | 1 | 1 |
| DVP3010/30 | 1 | 1 | 1 |

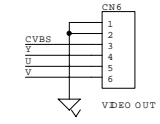
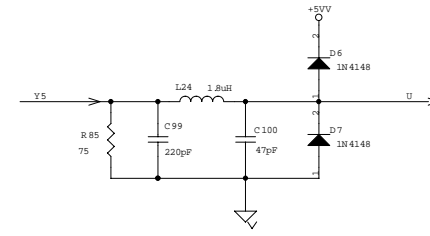
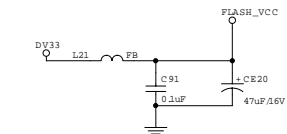
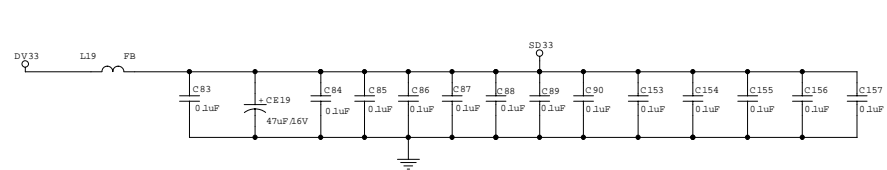
| Signal | Pin | Pin | Pin | Pin |
|---------|-----|-----|-----|-----|
| YUVCIN | 192 | | | |
| YUVD | 191 | | | |
| YUVD2 | 190 | | | |
| YUVD3 | 189 | | | |
| YUVD4 | 188 | | | |
| YUVD5 | 187 | | | |
| YUVD6 | 186 | | | |
| YUVD7 | 185 | | | |
| YUVD8 | 184 | | | |
| YUVD9 | 183 | | | |
| YUVD10 | 182 | | | |
| YUVD11 | 181 | | | |
| YUVD12 | 180 | | | |
| YUVD13 | 179 | | | |
| YUVD14 | 178 | | | |
| YUVD15 | 177 | | | |
| YUVD16 | 176 | | | |
| YUVD17 | 175 | | | |
| YUVD18 | 174 | | | |
| YUVD19 | 173 | | | |
| YUVD20 | 172 | | | |
| YUVD21 | 171 | | | |
| YUVD22 | 170 | | | |
| YUVD23 | 169 | | | |
| YUVD24 | 168 | | | |
| YUVD25 | 167 | | | |
| YUVD26 | 166 | | | |
| YUVD27 | 165 | | | |
| YUVD28 | 164 | | | |
| YUVD29 | 163 | | | |
| YUVD30 | 162 | | | |
| YUVD31 | 161 | | | |
| YUVD32 | 160 | | | |
| YUVD33 | 159 | | | |
| YUVD34 | 158 | | | |
| YUVD35 | 157 | | | |
| YUVD36 | 156 | | | |
| YUVD37 | 155 | | | |
| YUVD38 | 154 | | | |
| YUVD39 | 153 | | | |
| YUVD40 | 152 | | | |
| YUVD41 | 151 | | | |
| YUVD42 | 150 | | | |
| YUVD43 | 149 | | | |
| YUVD44 | 148 | | | |
| YUVD45 | 147 | | | |
| YUVD46 | 146 | | | |
| YUVD47 | 145 | | | |
| YUVD48 | 144 | | | |
| YUVD49 | 143 | | | |
| YUVD50 | 142 | | | |
| YUVD51 | 141 | | | |
| YUVD52 | 140 | | | |
| YUVD53 | 139 | | | |
| YUVD54 | 138 | | | |
| YUVD55 | 137 | | | |
| YUVD56 | 136 | | | |
| YUVD57 | 135 | | | |
| YUVD58 | 134 | | | |
| YUVD59 | 133 | | | |
| YUVD60 | 132 | | | |
| YUVD61 | 131 | | | |
| YUVD62 | 130 | | | |
| YUVD63 | 129 | | | |
| YUVD64 | 128 | | | |
| YUVD65 | 127 | | | |
| YUVD66 | 126 | | | |
| YUVD67 | 125 | | | |
| YUVD68 | 124 | | | |
| YUVD69 | 123 | | | |
| YUVD70 | 122 | | | |
| YUVD71 | 121 | | | |
| YUVD72 | 120 | | | |
| YUVD73 | 119 | | | |
| YUVD74 | 118 | | | |
| YUVD75 | 117 | | | |
| YUVD76 | 116 | | | |
| YUVD77 | 115 | | | |
| YUVD78 | 114 | | | |
| YUVD79 | 113 | | | |
| YUVD80 | 112 | | | |
| YUVD81 | 111 | | | |
| YUVD82 | 110 | | | |
| YUVD83 | 109 | | | |
| YUVD84 | 108 | | | |
| YUVD85 | 107 | | | |
| YUVD86 | 106 | | | |
| YUVD87 | 105 | | | |
| YUVD88 | 104 | | | |
| YUVD89 | 103 | | | |
| YUVD90 | 102 | | | |
| YUVD91 | 101 | | | |
| YUVD92 | 100 | | | |
| YUVD93 | 99 | | | |
| YUVD94 | 98 | | | |
| YUVD95 | 97 | | | |
| YUVD96 | 96 | | | |
| YUVD97 | 95 | | | |
| YUVD98 | 94 | | | |
| YUVD99 | 93 | | | |
| YUVD100 | 92 | | | |

| | | |
|----------|----------|-------|
| AB#J11 | AB#J11 | (3) |
| AD#J11 | AD#J11 | (3) |
| PD# | PD# | (3) |
| PW# | PW# | (3) |
| PCE# | PCE# | (3) |
| MAD#J11 | MAD#J11 | (3) |
| MD#J11 | MD#J11 | (3) |
| MA#J11 | MA#J11 | (3) |
| DQM#J11 | DQM#J11 | (3) |
| DCLK | DCLK | (3) |
| DCKE | DCKE | (3) |
| CAS# | CAS# | (3) |
| RAS# | RAS# | (3) |
| WE# | WE# | (3) |
| CS# | CS# | (3) |
| MC | MC | (3) |
| MD | MD | (3) |
| ML | ML | (3) |
| SCL | SCL | (3) |
| SDA | SDA | (3) |
| ASDATA | ASDATA | (5) |
| MT | MT | (5) |
| MT_N | MT_N | (5) |
| AIRCK | AIRCK | (5) |
| ABCK | ABCK | (5) |
| ASPD# | ASPD# | (5) |
| RESST# | RESST# | (4,5) |
| MUTE_DAC | MUTE_DAC | (5) |

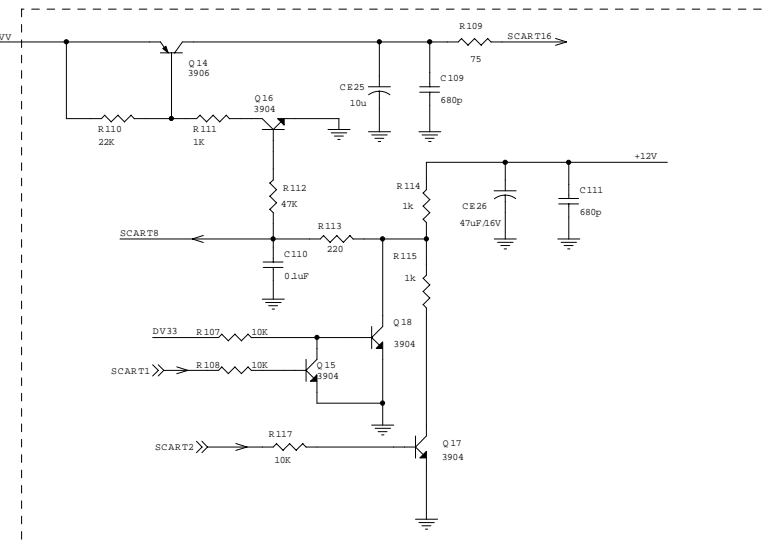
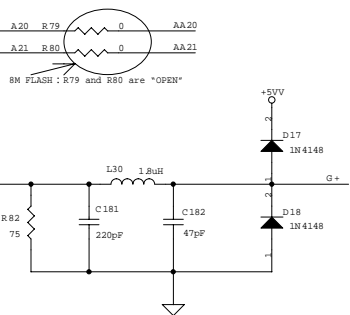
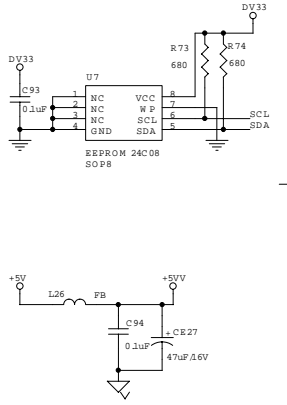
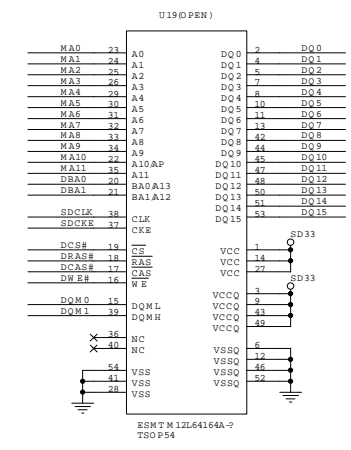
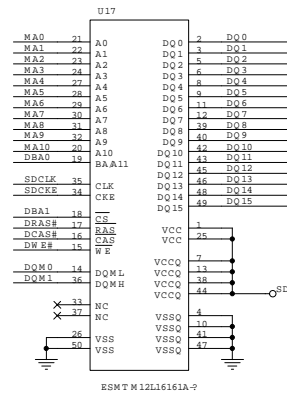
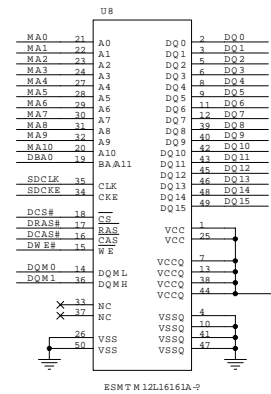
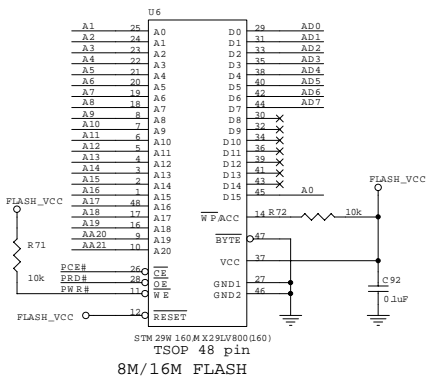
| Component | Open | Stuff |
|-----------|--|--|
| AM5668S | R21, R22, R24, R34, R38, R26, R32, R35, R31, R25, R39, R40, R41, R42, R43, R44, R45, R46, C73, C76, C78, C79, Q7, Q8, Q9, Q6 | R23, R29, R33, R30, R36 (0), R28, R27, R47 (27K), R48 (22K), R50 (20K) |
| BA5954 | R23, R29, R33, R30 | R21, R22, R24, R36 (20K), R34, R38, R26, R32, R35, R31, R25, R47 (20K), R39, R40, R41, R42, R43, R44, R45, R46, C73, C76, C78, C79, Q7, Q8, Q9, Q6, R48 (18K), R50 (10K) |

| | | | | | |
|------|----|-----|----|------|----|
| CN2 | C1 | C66 | C2 | R40 | E4 |
| CN3 | E4 | C67 | C2 | R41 | E2 |
| CON3 | E5 | C68 | D2 | R42 | E4 |
| CN4 | A1 | C69 | D3 | R43 | E4 |
| CN5 | A6 | C70 | D3 | R44 | E4 |
| CN6 | E5 | C71 | D3 | R45 | E4 |
| C4 | C1 | C72 | D3 | R46 | E4 |
| C7 | A2 | C73 | D1 | R47 | D3 |
| C8 | A2 | C74 | E1 | R48 | D3 |
| C9 | C1 | C75 | D1 | R49 | D3 |
| C10 | C1 | C76 | D2 | R50 | D3 |
| C11 | D1 | C77 | E2 | R51 | A2 |
| C12 | A2 | C78 | E4 | R52 | A3 |
| C13 | A2 | C79 | E3 | R53 | A3 |
| C14 | A1 | C80 | E4 | R54 | A4 |
| C15 | A2 | C81 | B1 | R55 | A4 |
| C16 | A1 | C82 | A5 | R56 | A4 |
| C17 | A2 | C83 | C1 | R57 | A5 |
| C18 | A2 | C84 | C2 | R58 | A5 |
| C19 | A2 | C85 | E2 | R59 | A5 |
| C20 | A2 | C86 | E1 | R60 | B5 |
| C21 | A2 | C87 | A2 | R61 | D3 |
| C22 | A2 | C88 | A2 | R62 | D3 |
| C23 | A3 | C89 | A2 | R63 | D3 |
| C24 | A3 | C90 | A1 | R64 | A6 |
| C25 | A3 | C91 | A3 | R65 | A6 |
| C26 | A3 | C92 | B5 | R66 | D3 |
| C27 | A3 | C93 | D2 | R67 | A6 |
| C28 | A3 | R2 | A1 | R68 | A6 |
| C29 | A3 | R3 | A1 | R69 | A6 |
| C30 | A3 | R4 | A1 | R116 | A1 |
| C31 | A3 | R5 | B1 | R118 | A1 |
| C32 | A3 | R6 | A1 | R211 | A1 |
| C33 | A3 | R7 | A1 | R212 | A1 |
| C34 | A3 | R8 | A2 | R225 | B5 |
| C35 | A3 | R9 | B1 | R226 | B5 |
| C36 | A3 | R10 | B1 | R227 | B5 |
| C37 | A4 | R11 | B1 | R228 | B5 |
| C38 | A5 | R12 | B1 | R229 | B5 |
| C39 | A4 | R13 | C1 | R230 | B5 |
| C40 | A4 | R14 | C1 | L6 | C1 |
| C41 | A5 | R15 | C1 | L7 | C1 |
| C42 | B4 | R16 | D1 | L8 | C1 |
| C43 | B5 | R17 | D1 | L9 | A2 |
| C44 | D4 | R18 | D1 | L10 | C2 |
| C45 | D4 | R19 | D2 | L11 | C5 |
| C46 | D4 | R20 | D2 | L12 | B5 |
| C47 | D5 | R21 | D1 | L13 | A6 |
| C48 | D5 | R22 | D1 | L14 | A6 |
| C49 | E3 | R23 | D1 | L15 | A6 |
| C50 | E3 | R24 | D1 | L16 | A6 |
| C51 | E3 | R25 | D2 | L18 | A5 |
| C52 | D4 | R26 | D2 | Q1 | B1 |
| C53 | D4 | R27 | D2 | Q2 | B1 |
| C54 | D4 | R28 | D2 | Q3 | B1 |
| C55 | D4 | R29 | D2 | Q4 | C1 |
| C56 | D4 | R30 | D2 | Q5 | D1 |
| C57 | D5 | R31 | D2 | Q6 | E4 |
| C58 | D5 | R32 | D2 | Q7 | E4 |
| C59 | B2 | R33 | D2 | Q8 | E4 |
| C60 | B2 | R34 | D1 | Q9 | E4 |
| C61 | B2 | R35 | D2 | U2 | C3 |
| C62 | B2 | R36 | D2 | U3 | D1 |
| C63 | B2 | R37 | E1 | U4 | A4 |
| C64 | B2 | R38 | E2 | U5 | A6 |
| C65 | B2 | R39 | E3 | Y1 | A4 |

3. SDRAM FLASH VIDE FILTER & SCART OUTPUT
For DVP3010XX

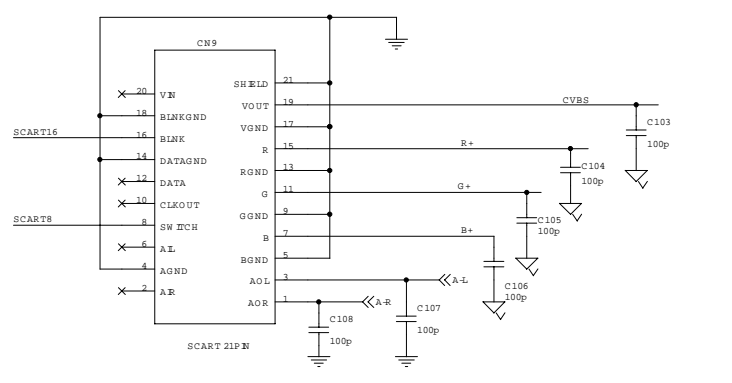
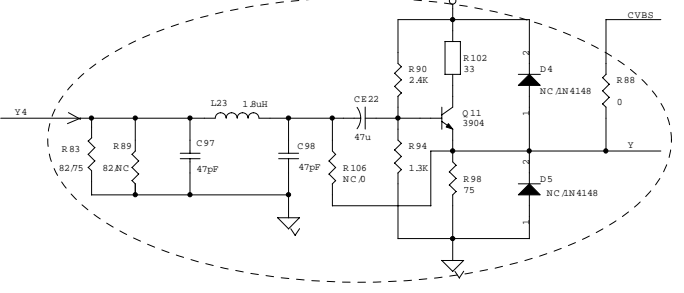


| | | | |
|------|----|------|----|
| C83 | A1 | D2 | D3 |
| C84 | A1 | D3 | D3 |
| C85 | A2 | D4 | E3 |
| C86 | A2 | D5 | E3 |
| C87 | A2 | D6 | A5 |
| C88 | A2 | D7 | A5 |
| C89 | A2 | D8 | B5 |
| C90 | A2 | D9 | B5 |
| C91 | A3 | D17 | C3 |
| C92 | B2 | D18 | C3 |
| C93 | C2 | D19 | D3 |
| C94 | C2 | D20 | D3 |
| C95 | D3 | Q11 | E3 |
| C96 | D3 | Q14 | B4 |
| C97 | E3 | Q15 | C5 |
| C98 | E3 | Q16 | C5 |
| C99 | A4 | Q17 | C5 |
| C100 | A4 | Q18 | C5 |
| C101 | A4 | R71 | B1 |
| C102 | A4 | R72 | B2 |
| C103 | D5 | R73 | C3 |
| C104 | D5 | R74 | C3 |
| C105 | D5 | R75 | D1 |
| C106 | D5 | R76 | D1 |
| C107 | E5 | R77 | D1 |
| C108 | E5 | R78 | D1 |
| C109 | C5 | R79 | B3 |
| C110 | C5 | R80 | B3 |
| C111 | C5 | R81 | D2 |
| C153 | A2 | R82 | C2 |
| C154 | A2 | R83 | E2 |
| C155 | A2 | R84 | D2 |
| C156 | A2 | R85 | A4 |
| C157 | A2 | R87 | B4 |
| C166 | D1 | R89 | E2 |
| C167 | D1 | R90 | E3 |
| C168 | D1 | R94 | C3 |
| C169 | D1 | R98 | E3 |
| C170 | D1 | R102 | E3 |
| C171 | D2 | R109 | C5 |
| C172 | D2 | R110 | C4 |
| C181 | C3 | R111 | C4 |
| C182 | C3 | R112 | C5 |
| C183 | D3 | R113 | C5 |
| C184 | D3 | R114 | C5 |
| CE19 | A1 | R115 | C5 |
| CE20 | A3 | RN1 | D1 |
| CE22 | E3 | CN6 | A5 |
| CE25 | C5 | CN7 | D5 |
| CE26 | C5 | U6 | A1 |
| CE27 | C2 | U7 | C2 |
| L19 | A1 | U8 | B2 |
| L20 | A3 | U17 | B3 |
| L21 | A3 | U19 | C1 |
| L22 | D2 | | |
| L23 | E2 | | |
| L24 | A4 | | |
| L25 | B4 | | |
| L26 | C2 | | |
| L30 | C3 | | |
| L31 | D3 | | |



| | Open | Stuff |
|-----------------------------|---|---|
| DVP3010 (5100) /00/02/04/05 | R86, R106, D4, D5 | CE22, R90, R94, R98, R102, R88, Q11, R83(82), R89(82) |
| DVP5100K/69/03 /13/75/78/BK | CE22, R90, R94, R98, R102, R88, Q11, R83(82), R89(82) | R106, R83(75), D4, D5 |

- [2] DQ D.15] << DQ D.15]
- [2] MA D.11] << MA D.11]
- [2] BA D.1] << BA D.1]
- [2] DQM D.1] << DQM D.1]
- [2] DCSE << DCSE
- [2] DCSE << DCSE
- [2] CAS << CAS
- [2] RAS << RAS
- [2] WE# << WE#
- [2] CS# << CS#
- [2] PCE# << PCE#
- [2] PR# << PR#
- [2] PW# << PW#
- [2] AD.21] << AD.21]
- [2] AD.7] << AD.7]
- [2] SCL << SCL
- [2] SDA << SDA
- GND << GND [1,2,3,4,5]
- DV33 << DV33 [1]
- Y1.6] << Y1.6] [2]
- GND << GND [1]
- +5V << +5V [1]
- +12V << +12V [1]
- DV33B << DV33B [1]



| SCART1 | SCART2 | SCART8 | SCART16 |
|--------|--------|--------------------|-------------|
| 1 | 0 | 12V (9.5V -12V 43) | 3V (RGB) |
| 1 | 1 | 6V (5V -8V 169) | 3V (RGB) |
| 0 | 0 | 0V TV MODE | 0V (CVBS) |

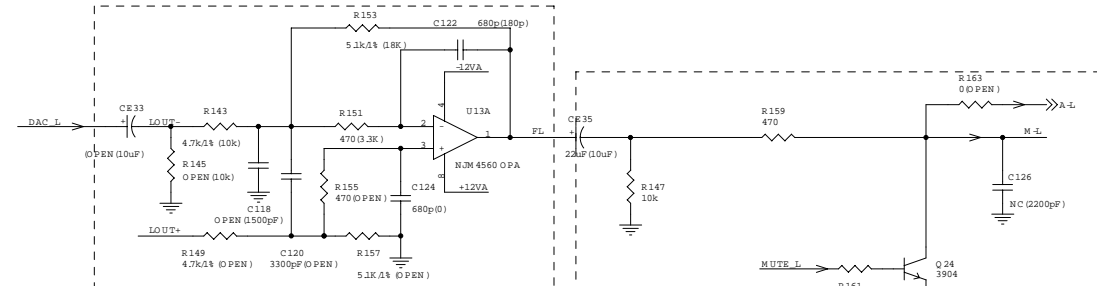
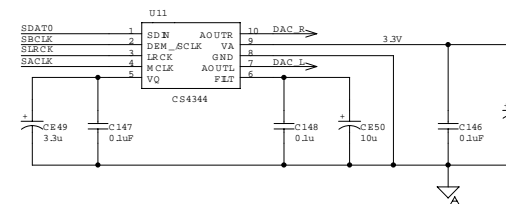
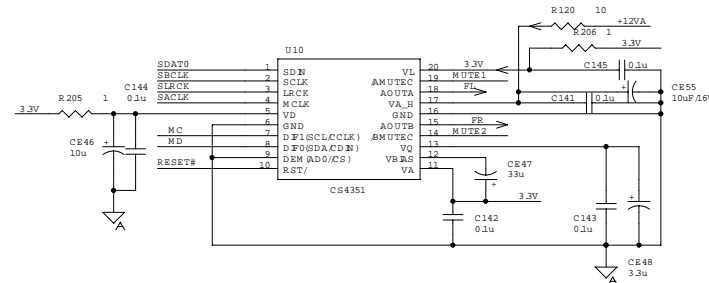
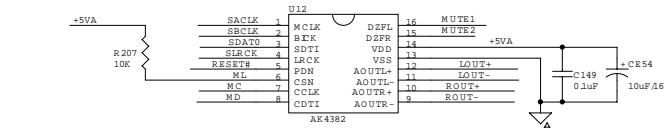
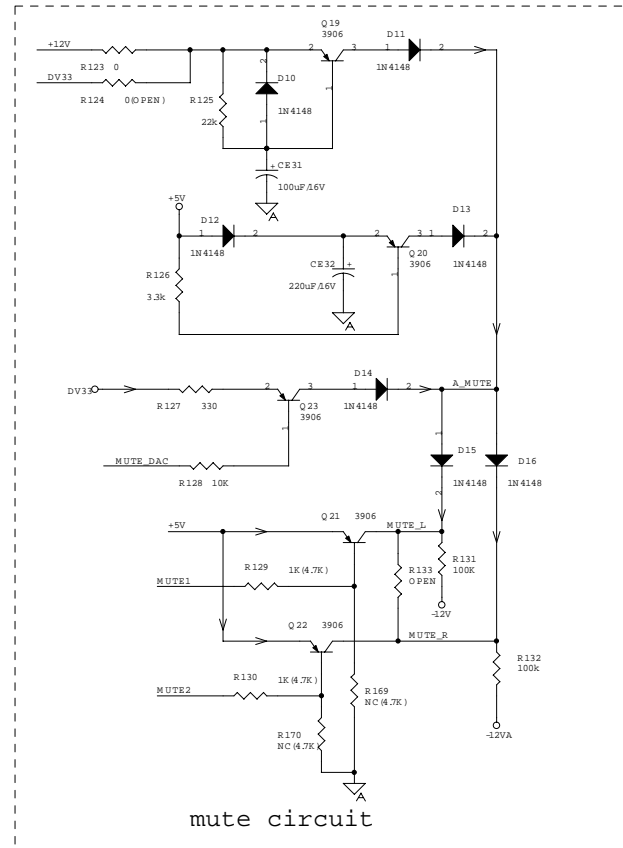
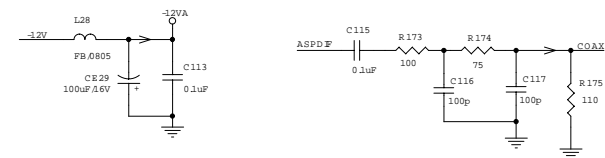
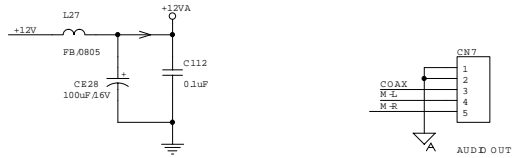
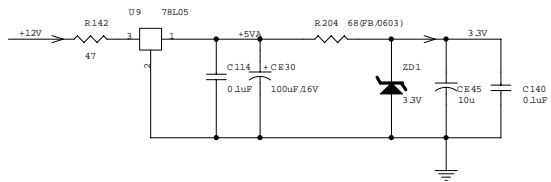
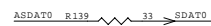
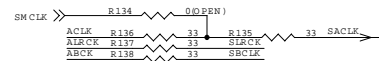
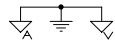
When have no SCART, this inside of circle a piece is "OPEN"

4. AUDD FILTER & OUT PUT
For DVP3010XX

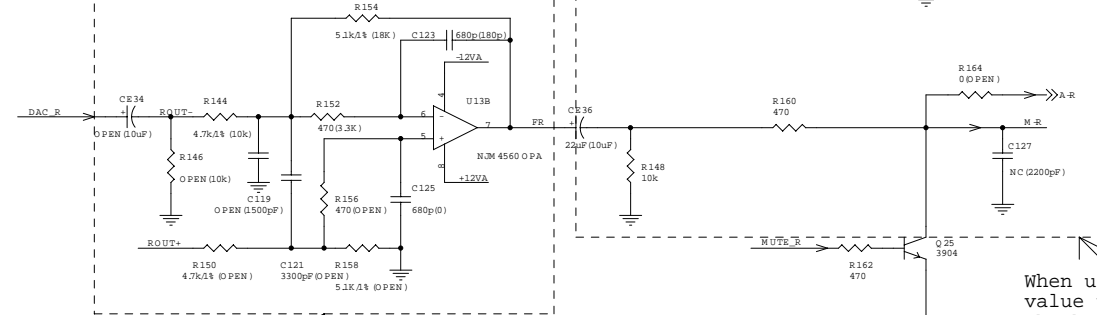
- [2] MD >> MD
- [2] ML >> ML
- [2] MC >> MC
- [1] -12V >> -12V
- [1] +12V >> +12V
- [1] DV33 >> DV33
- [1] +5V >> +5V

- [1,2,3,5] GND >> GND
- [2] ASDATO >> ASDATO
- [2] ASPDF >> ASPDF
- [2] AC1K >> AC1K
- [2] ABCK >> ABCK
- [2] ALRCK >> ALRCK

- [2] MUTE_DAC >> MUTE_DAC
- [2] RESETH >> RESETH
- [4] A-L >> A-L
- [4] A-R >> A-R

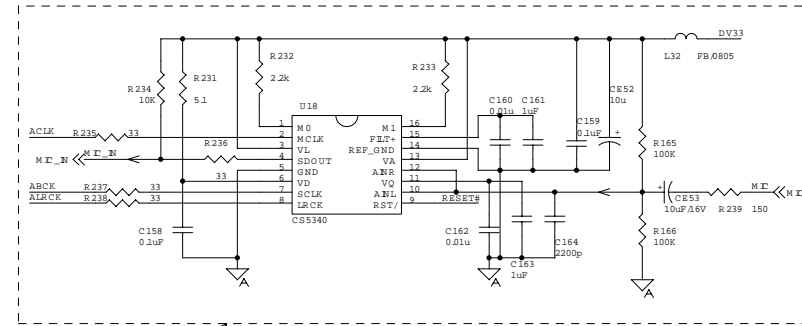


When use the CS4344, a value uses the value in the brackets.



When use the CS4351, a value uses the value in the brackets.

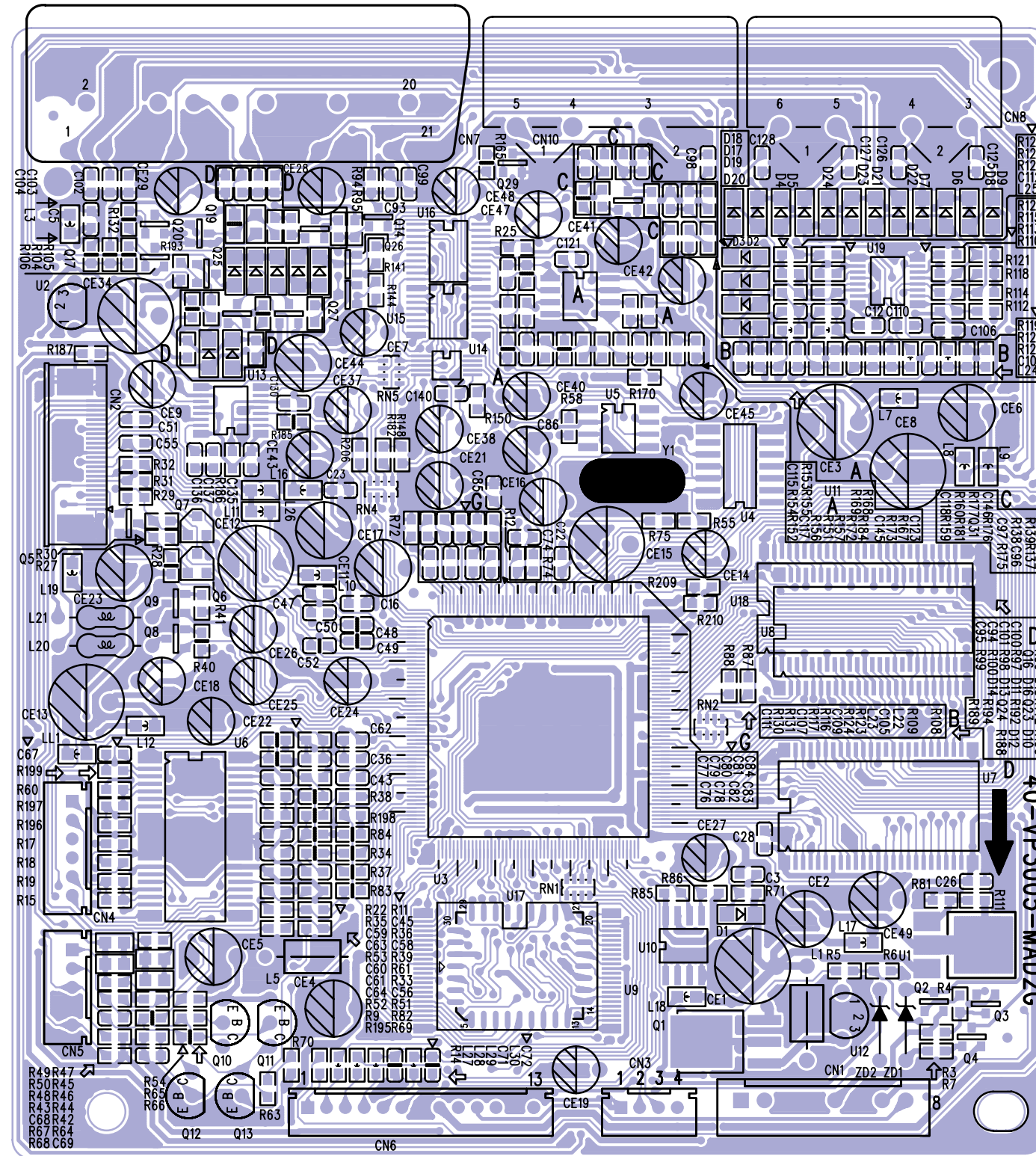
When use the cs4351, this inside of circle a piece is "OPEN"



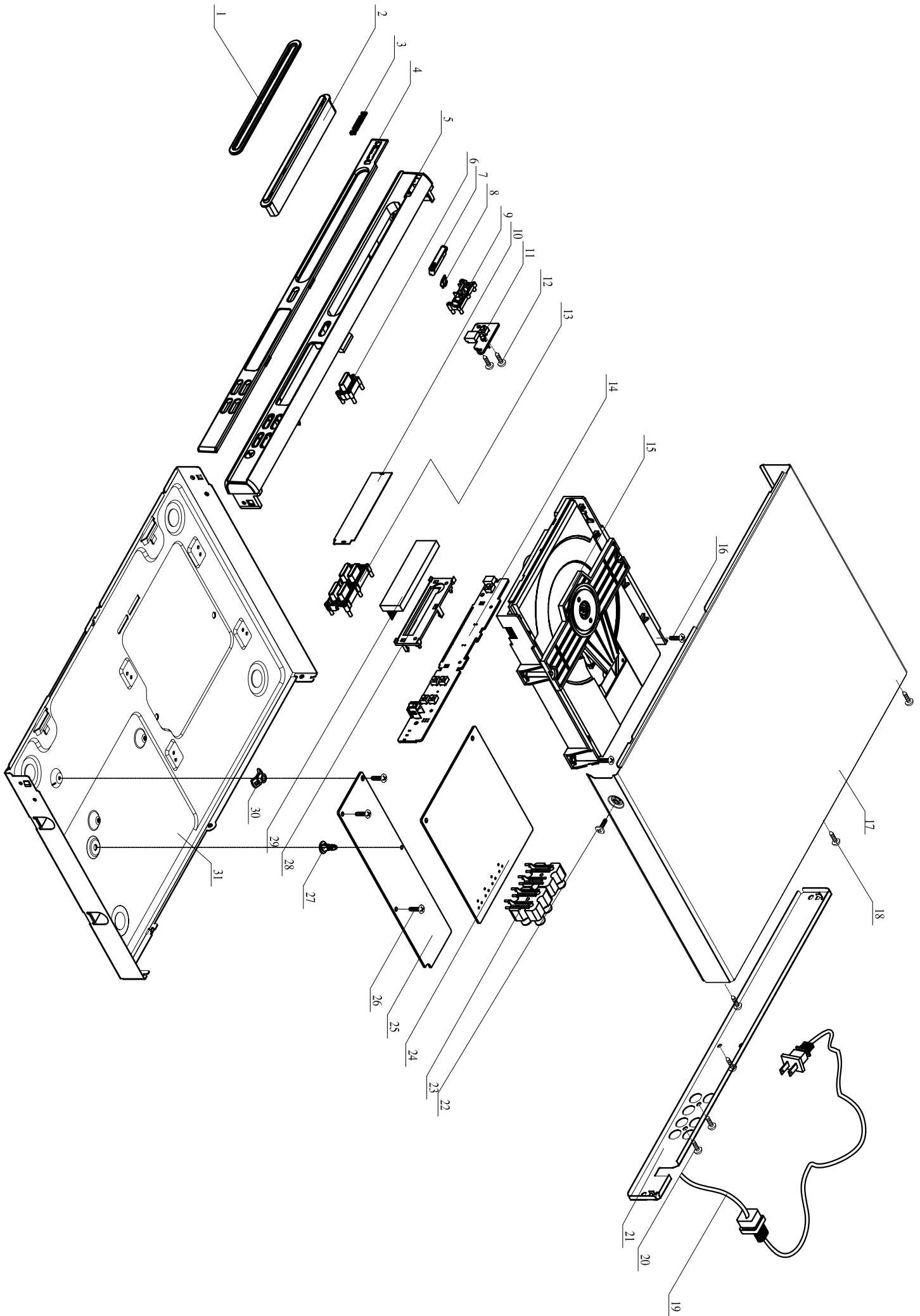
When have no karaoke, this inside of circle a piece is "OPEN"

| | | | | | |
|------|----|------|----|------|----|
| R120 | D3 | R205 | D2 | L31 | C1 |
| R123 | A2 | R206 | D3 | L32 | C5 |
| R124 | A2 | R207 | C2 | CE28 | D1 |
| R125 | A2 | R231 | C4 | CE29 | E1 |
| R126 | A2 | R232 | C4 | CE30 | C1 |
| R127 | B2 | R233 | C4 | CE31 | A3 |
| R128 | B2 | R234 | C4 | CE32 | A3 |
| R129 | B2 | R235 | C4 | CE33 | A4 |
| R130 | B2 | R236 | C4 | CE34 | B4 |
| R131 | B3 | R237 | C4 | CE35 | A5 |
| R132 | B3 | R238 | C4 | CE36 | B4 |
| R133 | B3 | R239 | C5 | CE46 | D2 |
| R134 | C1 | C112 | D1 | CE47 | D3 |
| R135 | C1 | C113 | E1 | CE48 | D3 |
| R136 | C1 | C114 | D1 | CE49 | E2 |
| R137 | C1 | C115 | E1 | CE50 | E3 |
| R138 | C1 | C116 | E2 | CE51 | E3 |
| R139 | C1 | C117 | E2 | CE52 | C5 |
| R142 | C1 | C118 | A4 | CE53 | C5 |
| R143 | A4 | C119 | B4 | CE54 | C3 |
| R144 | B4 | C120 | A4 | CE55 | D3 |
| R145 | A4 | C121 | B4 | Q19 | A3 |
| R146 | B4 | C122 | A4 | Q20 | A3 |
| R147 | A5 | C123 | B4 | Q21 | B3 |
| R148 | B5 | C124 | A4 | Q22 | B3 |
| R149 | A4 | C125 | B4 | Q23 | B3 |
| R150 | B4 | C126 | A6 | Q24 | A5 |
| R151 | A4 | C127 | B6 | Q25 | B5 |
| R152 | B4 | C140 | D2 | D10 | A3 |
| R153 | A4 | C141 | D3 | D11 | A3 |
| R154 | B4 | C142 | D3 | D12 | A2 |
| R155 | A4 | C143 | D3 | D13 | A3 |
| R156 | B4 | C144 | D2 | D14 | B3 |
| R157 | A4 | C145 | D3 | D15 | B3 |
| R158 | B4 | C146 | E3 | D16 | B3 |
| R159 | A5 | C147 | E3 | U18 | C4 |
| R160 | B5 | C148 | E3 | U9 | C1 |
| R161 | A5 | C149 | C3 | U10 | D3 |
| R162 | B5 | C158 | D4 | U11 | E3 |
| R163 | A6 | C159 | C5 | U12 | C3 |
| R164 | B6 | C160 | C5 | U13 | A4 |
| R166 | D5 | C162 | C5 | U16 | C5 |
| R169 | B3 | C163 | C5 | CN7 | D2 |
| R170 | C3 | C164 | C5 | | |
| R173 | E1 | L27 | D1 | | |
| R174 | E2 | L28 | E1 | | |
| R175 | E2 | L30 | C1 | | |

"M peg Board Top Side



Mechanical Exploded view



DVP3500/37 Exploded View

