

SERVICE MANUAL

MODEL NO : KM-718

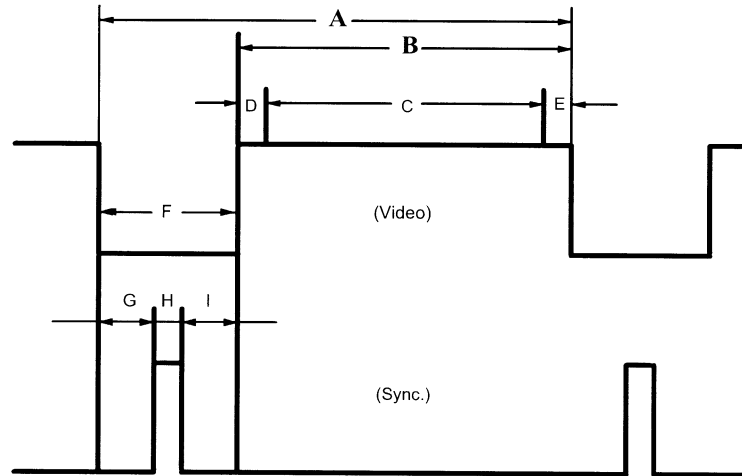
REV NO. : 00

TABLE OF CONTENTS

A. Brief Specification.....	A-1 ~ A-2
B. Important Servicing Precautions.....	B-1
C. Location of Controls.....	C-1
D. Circuit Description.....	D-1 ~ D-4
E. General Adjustment.....	E-1
F. Factory mode adjustment	F-1 ~ F-2
G. Block Diagram.....	G-1 ~ G-4
H. Trouble Shooting Guide.....	H-1 ~ H-6
I. Parts List	I-1 ~ I-9

A. SPECIFICATIONS:

- 1. SCREEN 17" F & S, 0.27mm, Antistatic coating.
- 2. POWER SOURCE 120V 60Hz
220V 50Hz
- 3. POWER CONSUMPTION 100W (max.)
- 4. INPUT SIGNAL
VIDEO Analog R. G. B. : 0.7Vpp (positive)
SYNC TTL level, H, V separate, composit sync, positive or negative polarity.
- 5. INTERFACE 15 Pin D type connector
- 6. RESOLUTION 1280 X 1024 pixels (Non-interlace)
- 7. RECOMMENDED TIMING CHART



Item	Description:
A	Total time
B	Active display area including borders
C	Active display area excluding borders
D	Left/Top border
E	Right/bottom border
F	Blanking time
G	Frontporch
H	Sync-width
I	Backporch

Mode No.		VGA	VGA	VESA 46.9K	VESA 43.27K	VESA 48.4K	VESA 53.6K
H-Resolution	[px]	720	640	800	640	1024	800
V-Resolution	[Lines]	400	480	600	480	768	600
Pixelclock	[MHz]	28.322	25.175	49.500	36.000	65.000	56.250
H-Frequency	[kHz]	31.468	31.469	46.875	43.269	48.363	53.674
V-Frequency	[Hz]	70.080	59.94	75.000	85.000	60.000	85.061
Interlace		NONE	NONE	NONE	NONE	-NONE	NONE
H-Sync-polarity		-	-	+	-	-	+
V-Sync-polarity		+	-	+	-	-	+
H-total	[us]	31.778	31.778	21.333	23.111	20.677	18.631
H-active display	[us]	25.422	25.422	16.162	17.778	15.750	14.222
H-active w/o border	[us]	25.422	25.422	16.162	17.778	15.750	14.222
H-left border	[us]	0	0	0	0	0	0
H-right border	[us]	0	0	0	0	0	0
H-blanking	[us]	6.356	6.356	5.172	5.333	4.919	4.409
H-Frontporch	[us]	0.636	0.636	0.323	1.556	0.369	0.569
H-Sync-width	[us]	3.813	3.813	1.616	1.556	2.090	1.138
H-Backporch	[us]	1.907	1.907	3.232	2.222	2.460	2.702
V-total	[ms]	14.268	16.683	13.333	11.746	16.666	11.756
	[Lines]	449	525	625	509	806	631
V-active display	[ms]	13.156	15.253	12.800	11.093	15.880	11.179
	[Lines]	414	480	600	480	768	600
V-active w/o border	[ms]	13.156	15.253	12.800	11.093	15.880	11.179
	[Lines]	414	480	600	480	768	600
V-top border	[ms]	0	0	0	0	0	0
	[Lines]	0	0	0	0	0	0
V-bottom border	[ms]	0	0	0	0	0	0
	[Lines]	0	0	0	0	0	0
V-blanking	[ms]	1.112	0.922	0.533	0.670	0.786	0.578
	[Lines]	35	29	25	29	38	31
V-Frontporch	[ms]	0.159	0.064	0.021	0.023	0.062	0.019
	[Lines]	5	2	1	1	3	1
V-Sync-width	[ms]	0.064	0.064	0.064	0.069	0.124	0.056
	[Lines]	2	2	3	3	6	3
V-Backporch	[ms]	0.889	0.794	0.448	0.578	0.600	0.503
	[Lines]	28	25	21	25	29	27

Mode No.	-	VESA 60K	VESA 68.6K	VESA 64K	VESA 37.9K
H-Resolution	[px]	1024	1024	1280	800
V-Resolution	[Lines]	768	768	1024	600
Pixelclock	[MHz]	78.750	94.500	108.000	40.000
H-Frequency	[kHz]	60.023	68.677	63.981	37.879
V-Frequency	[Hz]	75.029	84.997	60.020	60.317
Interlace		NONE	NONE	NONE	NONE
H-Sync-polarity		+	+	+	+
V-Sync-polarity		+	+	+	+
H-total	[us]	16.660	14.561	15.630	26.400
H-active display	[us]	13.003	10.836	11.852	20.000
H-active w/o border	[us]	13.003	10.836	11.852	20.000
H-left border	[us]	0	0	0	0
H-right border	[us]	0	0	0	0
H-blanking	[us]	3.657	3.725	3.778	6.400
H-Frontporch	[us]	0.203	0.508	0.444	1.000
H-Sync-width	[us]	1.219	1.016	1.037	3.200
H-Backporch	[us]	2.235	2.201	2.296	2.200
V-total	[ms]	13.328	11.765	16.661	16.579
	[Lines]	800	808	1066	628
V-active display	[ms]	12.795	11.183	16.005	15.840
	[Lines]	768	768	1024	600
V-active w/o border	[ms]	12.795	11.183	16.005	15.840
	[Lines]	768	768	1024	600
V-top border	[ms]	0	0	0	0
	[Lines]	0	0	0	0
V-bottom border	[ms]	0	0	0	0
	[Lines]	0	0	0	0
V-blanking	[ms]	0.5333	0.582	0.656	0.739
	[Lines]	32	40	42	28
V-Frontporch	[ms]	0.017	0.015	0.016	0.026
	[Lines]	1	1	1	1
V-Sync-width	[ms]	0.050	0.044	0.047	0.106
	[Lines]	3	3	3	4
V-Backporch	[ms]	0.466	0.524	0.594	0.607
	[Lines]	28	36	38	23

8. DISPLAY SIZE

H: 300 ± 5 mm
V: 225 ± 5 mm

9. OPERATION TEMPERATURE

0-40 degree C

10. DIMENSION

	Without Packaging	Including Packaging
Width	414 mm	530 mm
Height	410 mm	555 mm
Depth	458 mm	565 mm

11. WEIGHT

Net : 16.4 Kgs
Gross: 19.4 Kgs

B. IMPORTANT SAFETY INSTRUCTION

Prior to using this manual, please ensure that you have carefully followed all the procedures outlined in the user's manual for product.

1. Read all of these instructions.
2. Save these instructions for later use.
3. Follow all warnings and instructions marked on the product.
4. Unplug this product from the wall outlet before cleaning. Do not use liquid cleaners or aerosol cleaners. Use a damp cloth for cleaning.
5. Do not use this product near water.
6. Do not place this product on an unstable car, stand or table. The product may fall, causing serious damage to the product.
7. Slots and openings in the cabinet and the back or bottom are provided for ventilation; to ensure reliable operation of the product and to protect it from overheating, those openings must not be blocked or covered. The openings should never be blocked by placing the product on a bed, sofa, rug, or other similar surface. This product should never be placed near or over a radiator or heat register. This product should not be placed in a built-in installation unless proper ventilation is provided.
8. This product should be operated from the type of power source indicated on the marketing label. If you are not sure of the type of power available, consult your dealer or local power company.
9. This product is equipped with a 3-wire grounding type plug, a plug having a third (grounding) pin. This plug will only fit into a grounding-type power outlet. This is a safety feature. If you are unable to insert the plug into the outlet, contact your electrician to replace your obsolete outlet. Do not defeat the purpose of the grounding-type plug.
10. Do not allow anything to rest on the power cord. Do not locate this product where persons will walk on the cord.
11. If an extension cord is used with this product, make sure that the total of the ampere ratings on the products plugged into the extension cord do not exceed the extension cord ampere rating. Also, make sure that the total of all products plugged into the wall outlet does not exceed 15 amperes.
12. Never push objects of any kind into this product through cabinet slots as they may touch dangerous voltage points or short out parts that could result in a risk of fire or electric shock. Never spill liquid of any kind on the product.
13. Do not attempt to service this product yourself, as opening or removing covers may expose you to dangerous voltage points or other risks.
Refer all servicing to service personnel.
14. Unplug this product from the wall outlet and refer servicing to qualified service personnel under the following conditions:
 - A. When the power cord or plug is damaged or frayed.
 - B. If liquid has been spilled into the product.
 - C. If the product has been exposed to rain or water.
 - D. If the product does not operate normally when the operating instructions are followed. Adjust only those controls that are covered by the operating instructions since improper adjustment of other controls may result in damage and will often require extensive work by a qualified technician to restore the product to normal operation.
 - E. If the product has been dropped or the cabinet has been damaged.
 - F. If the product exhibits a distinct change in performance, indicating a need for service.

C On-Screen Display Controls

A. Power Switch

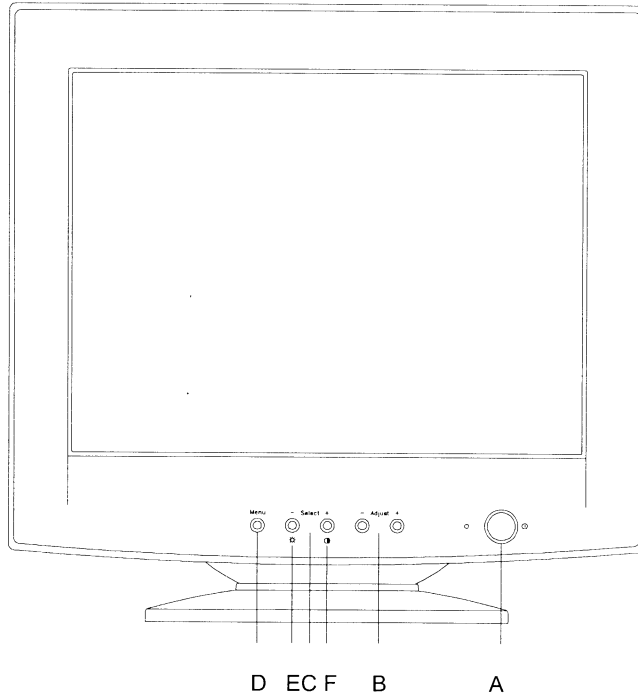
B. - Adjust +

C. - Select +

D. OSD

E.

F.



D. CIRCUIT DESCRIPTION

1. Power circuit

The power circuit includes the start up, mode control operation, and OCP circuit. Please refer to the circuit diagram.

a) Start up circuit

The R908 and SR901 provide the start up current of I901.

The turn-on and turn off thresholds of under-voltage lockout circuit in I901 are fixed internally at 15V and 10V respectively.

At start-up, C911 must be charged to 15V with a current no less than .55mA.

b) Current-mode control operation

As B+ of I901 (Pin 3) more than 15V, it has square waveform on the totem-pole output which can be operated to +/- 1 Amp peak for driving the gate of MOSFET (Pin1) to directly drive the converter transformer. The current sensing resistor C914 senses the primary current waveform for current-mode PWM control and total output power limit.

c) OCP

As mentioned above the current sensing resistor C914 can limit the total power output. The voltage level of auxiliary power winding will drop with the secondary load increment. The auxiliary power voltage will be too low to drive the I901 at heavy overload output condition. Then the I901 will be shut down after start up repeatedly.

d) LED Indicator CKT

When it's power on micon. control Q001 provide voltage 5V which make green LED on ; When it's without H-sync or V-sync pulsing, micon control Q001 make amber LED on, at this moment LED will become yellow ; When it's without H-syn and V-sync pulsing micon control Q002 make LED amber.

e) Degauss CKT

Micon control Q902 and RL901 on make current pass by POR901 and ADG coil is degaussing achieved.

2. Horizontal circuit

a) Horizontal first stage circuit

The main function of this stage have horizontal synchronization, free-running oscillation, AFC and horizontal-phase adjustment.

a-1 Free-running oscillation.

Free-running oscillation is handled by the voltage decided by pin 7 of I601.

a-2 Horizontal synchronization.

If input a sync pulse to Pin 1 of I601 synchronization is achieved.

a-3 Horizontal-phase adjustment

The I601 I²C also has the horizontal-phase adjustment function.

b) Side-pin and H-size control circuit

Parabola signal from pin 24 of I601 to I701 is the side-pin control CKT. I701, Q717, Q718, Q719 complete the H-size adjusting.

c) Horizontal pre-driver circuit and driver circuit

The main function of these stage is to supply enough energy to horizontal output circuit. Q703 are pre-driver circuit. T701 is driver circuit.

d) Horizontal output stage circuit

Horizontal output stage circuit belongs to diode modulation type. Q704, D702, D708 C718, C719, T701, T702, C727 are main parts of this circuit.

e) Horizontal B+ step up circuit

In order to keep the same high voltage of CRT and horizontal raster size, it must supply different B+ voltage according to different horizontal frequency. B+ voltage is positively proportional to the horizontal frequency. And the horizontal B+ step up circuit has this function. I601, Q710, Q715, Q716, D711, L701 and C744 are main parts of this circuit.

f) Spot killer circuit

It have very bright line or dot on the CRT screen when power turns off instantaneously, The spot killer circuit can avoid this defect. The main parts of this circuit are C738, Q711, D733, D741, ZD705.

g) X-ray protection circuit

It will emit x-ray and it will be harmful to human body when anode voltage of CRT is too high, The x-ray protection circuit can shut down the horizontal pulse to avoid x-ray emission. ZD702, D718, R783, R785, C743 are main parts of this circuit.

h) Blanking circuit Q600 for Vert.

i) Vertical focus & Horizontal focus circuit

The I601TDA9109 delivers a horizontal parabola which is added on a vertical parabola waveform on pin 10, at I601 pin 10 output Parabola wave, to Q501, Q502 Voltage AMP, connect to T501 and G4 to FBT pin 14 (TP).

3. Vertical circuit

The vertical circuit includes pre-driver circuit, output circuit and vertical-size preset circuit, and vertical f to v circuit.

a) Vertical pre-driver circuit

* The function of pre-driver circuit have synchronization, free-running oscillation and sawtooth pulse producer.

* When input a vertical sync signal to pin 2 of I601 synchronization is achieved. by I601's internal circuit.

* The internal circuit of I601 also has the sawtooth pulse generator.

b) Vertical output circuit and vertical-size preset circuit

* I602 is a vertical output IC. It implements the current amplifier function.

* I601 to pass through I²C Bus to control, V-size, V-position, Pincushion, parallelogram, Side-pin, Balance.

4. Video circuit

The video circuit three major portions

a) Video pre-Amp

I201 MM1382 may control video pre-Amp by means of micro circuit.

b) Video amplifier circuit

I201 used as a pre-AMP which include contrast control, and clamp function. Q402+Q403, Q432+Q433, Q462+Q463 are final-AMP.

c) VR225, VR255, VR285 are bias control.

5. OSD CIRCUIT

I102 VSIOSD17V1 can excite full screen display automatically.

Pin 1,2,3,4: is for analog keep . Pin 5 : Hsync I/P; Pin 7,8: SDA, SCL from C.P.U Pin 9: B+ power supply;

Pin 10: Vsync I/P.

While OSD output Pin 12 Hi OSD display, Pin 13, 14, 15:OSD RGB O/P Pin 16: Ground Pin 6: must be floating.

6. MICRO CONTROL CIRCUIT

A short description of the key related IC's is given below.

a) I001: MCUKM718-1M

THIS FEATURES OF MTV212MN16

8051 CORE 12MHZ operating frequency

1024 bytes ROM, 64k bytes program Flash - RAM

Max 14 channels of open-drain PWM DACs

DDC interface supports VESA DDC1/DDC2B standard

b) I002 (LM7805) is a power regulator IC, it convert and regnlate 15.5V to 5V to supply the whole circuit

c) I003 EEPROM :24LC04 is an 4K bytes 5V electrically erasable programmable read only memory (EEPROM) organized as 512 by 8 bits. The stored information is electrically alterable on a word-by-word basis IIC-BUS controlled.

24C04 contain the data of timing factory default PWM value, CS value...et.

According to these data I 001 MCU can decide the suitable PWM value for different timing

d) C 011 and D001 is MCU power reset circuit

E. GENERAL ADJUSTMENT

1. B+ 12.3V adjustment: VR901
 - a) Connect the positive lead of multi-meter to D917 (--), negative lead to chassis ground.
 - b) Adjust VR901 to obtain a 12.3V reading.

2. High Voltage adjustment: OSD "B+" Function
 - a) Turn off the power and connect the positive lead of high voltage voltmeter to the tube anode, negative lead to Chassis Ground.
 - b) Press and hold the "OSD" button on the front of the display, then press the power button to turn display on.
 - a) Input factory mode, OSD main window will be show on the display, you can see OSD a frame for Red.
 - b) Shift the selective item to stay at " ", push "adjust" button going in to low-ranking.
 - c) Shift the selective item to stay at "B+" Function
 - d) Adjust "B+" Function to obtain a 25.5KV reading.

3. Static Focus adjustment:
 - a) Display any character all over the screen.
 - b) Set contrast max. and brightness in cut off position.
 - c) Adjust FBT focus H/V VR until the 1/4 and 3/4 position of center Horizontal line and Vertical line of the picture is sharpest.

4. Background white balance adjustment: VR225, VR255, VR285 and OSD,"CU" function
 - a) Set all bias VR to counter-clock wise max and let the raster be invisible.
 - b) Press and hold the "OSD" button on the front of the display, then press the power button to turn the display on.
 - c) Input factory mode, OSD main window will be shown on the display, you can see OSD a frame for Red.
 - d) Shift the selective item to stay at " ", push "adjust" button going in to low-ranking.
 - e) Display black pattern (all video signals are disabled) and adjust FBT SCREEN VR until the raster just appear to see which color comes out first (red, green or blue colors), at $G2=510 \pm 10V$.
 - f) Adjust bias VR225, VR255, VR285 of the other 2 colors to get gray raster. (9300K + 27 M.P.C.D)
 - g) Adjust "CU" function to let the gray raster no larger than 0.6 FT-L.

F. Factory mode adjustment

1. Getting into factory mode

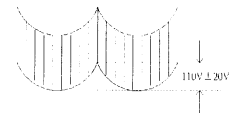
- Press and hold the "OSD" button on the front of the display, then press the power button to turn the display on.
- Wait about three seconds to Release the "OSD" button.
- Input factory mode, OSD main window will be shown on the display, you can see OSD a frame for Red.

2. Moving the OSD window

- Shift the selective item to stay at " " Press the "Adjust +/-" button into OSD moving window .
Then use select key to choose OSD window Up/Down or Right/Left.

3. Factory mode function operation step

- CU : Black level icon, adjust G1 voltage to the Black level in spec.
- B+ : High-voltage adjust icon, test High-voltage Cap to adjust the High-voltage in the spec
- HD : Control the horizontal driver duty cycle.
- SC : R Control the vertical Linearity of half picture, between UP and down half picture. (at present MAU DAC keep "47" value)
- CC : Control the vertical linearity between center and top/bottom. (at present MAU DAC keep "23" value)
- VD: Control gain of vertical dynamic waveform icon, adjust icon to let obtain a parabolic wave so following figure



- BU : from connects the probe of scope on FBT pin 14 (TP). (at present MCU DAC keep "80" value)
- BU : TO choose user safe mode pattern or factory burn in mode pattern '
- h) : Contrast icon, adjust the level of difference between light and Dark areas of the image.
(at present reload "100" value)
- i) : Select the horizontal position icon to adjust the horizontal position let picture to be centered
- j) : Select the horizontal size icon to adjust the H-size of the spec 300 ± 4 mm.
- k) : Select the vertical position icon to adjust the vertical position let picture to be centered.
- l) : Select the vertical size icon to adjust the V-size of the spec 225 ± 4 mm.q)
- m) : Select the pincushion icon to adjust any tapering or bowing of the sides, let picture be obtained a best shape.
- n) : Select the pin balance icon, adjust pin balance icon to let picture left and right distortion shape to a rectangle.
- o) : Select the trapezoid icon to adjust trapezoid distortion to let image shape to rectangle
- p) : Select the parallelogram icon to adjust the equilateral let image shape to rectangle.
- q) : Select the color Temperature icon to adjust 9300/6500 color Temperature
- r) : Select the rotation icon.
- s) : Select the zoom icon to adjust the image large or little.
- t) : Select the moire icon to adjust moire let image best shape
- u) : Select the degauss icon to degauss C.R.T.
- V) : Select the language icon to choose OSD language .
- w) : Select the OSD icon to moving OSD window
- y) :: If you want to return to original factory default, press the " " button , then press Adjust button .to hold original factory default

4. Saving display settings in the factory mode.

- The OSD main window enables you to make changes to a variety if display settings. When selected icon is changed, the display's setting will be saved if you press the + or - button.
- Change mode settings, the display will be saved.
- Power off, the display setting will be saved.
- The OSD main window to close automatically, the display's will be saved.

5. Setting color Temperature

- Setting Color Temperature (9300K, 6500K) and full white Luminance setting
 - Input video with 1 block pattern .Press select "+" or "-" button to choose icon from the window.
 - Then choose color option window 93 or 65 user icon.
 - Press Select "+" or "-" button to choose R.G.B icon then to Adjustment color temperature.
(9300:x: 0.283 y:0.297/6500:x:0.313 y:0.329 and Adjust R,G,B to get Luminance: 38~42 Ft-L)

R	<input type="text"/>
G	<input type="text"/>
B	<input type="text"/>

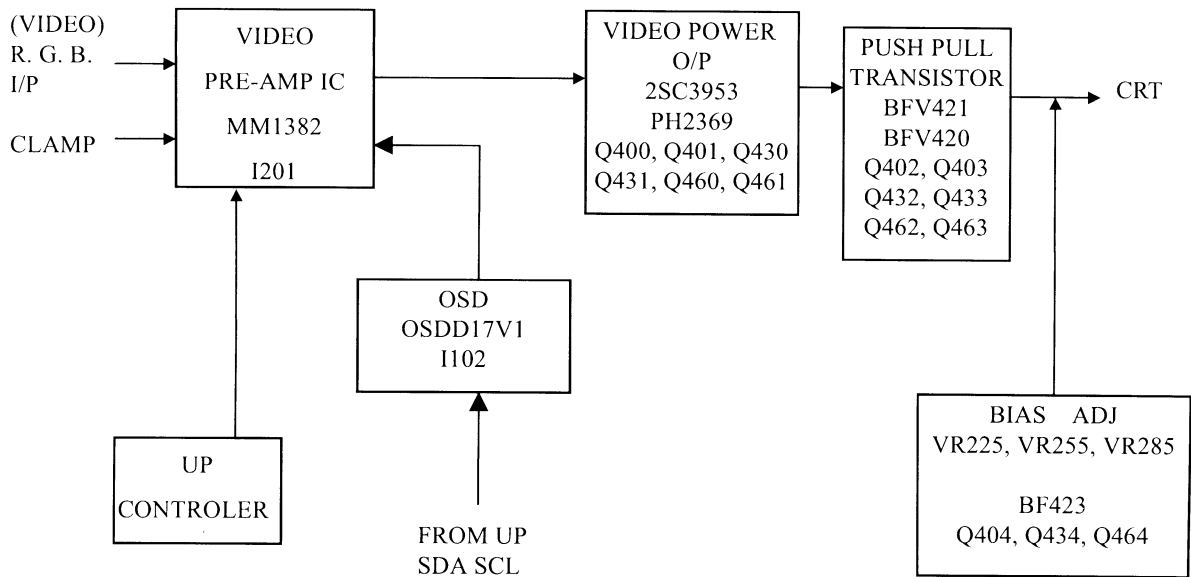
b). Setting ABL

6. Input video with 1 full white pattern

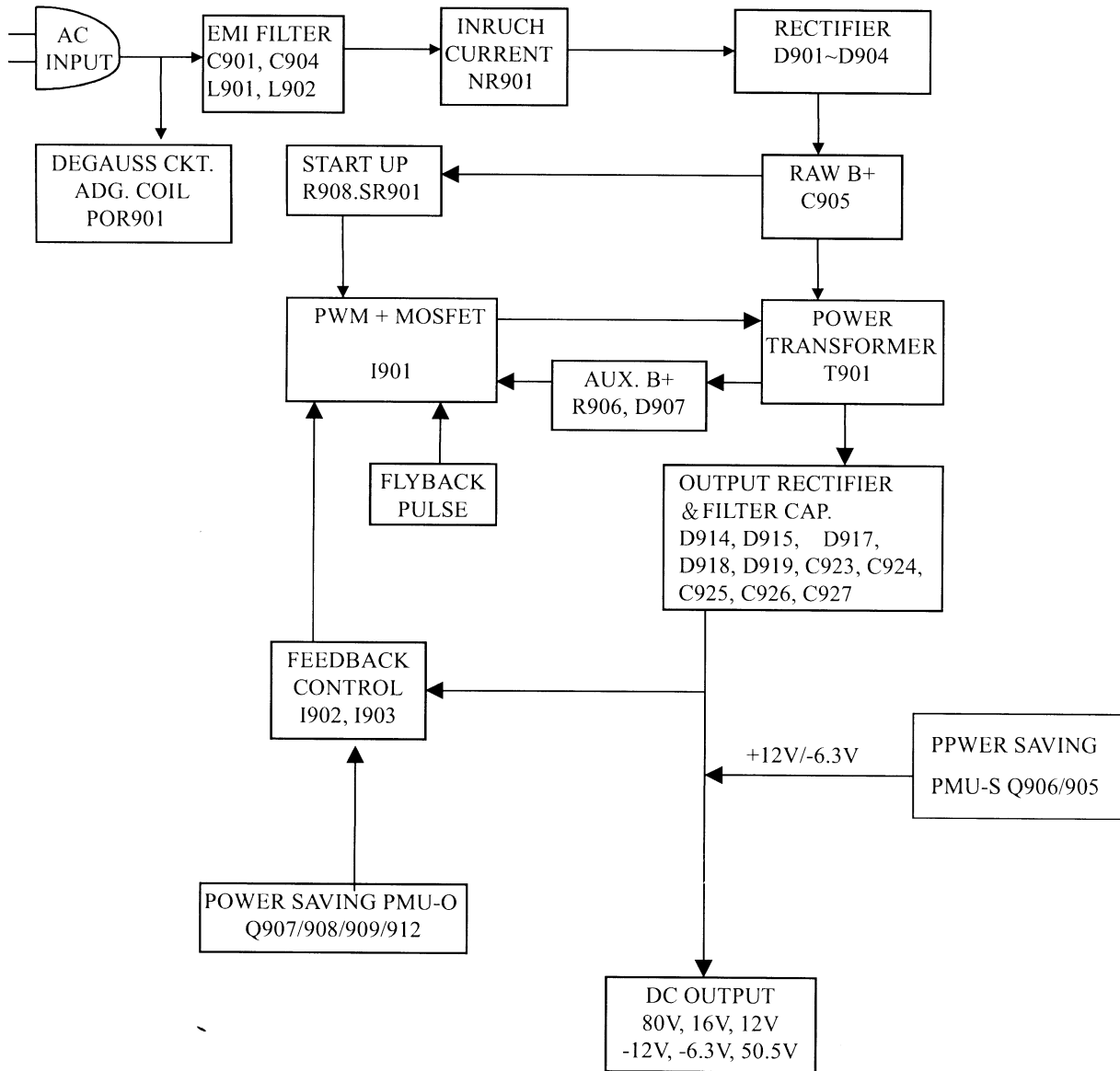
- Adjust VR 301 to get Luminance: 28~32 Ft-L.

G. BLOCK DIAGRAM

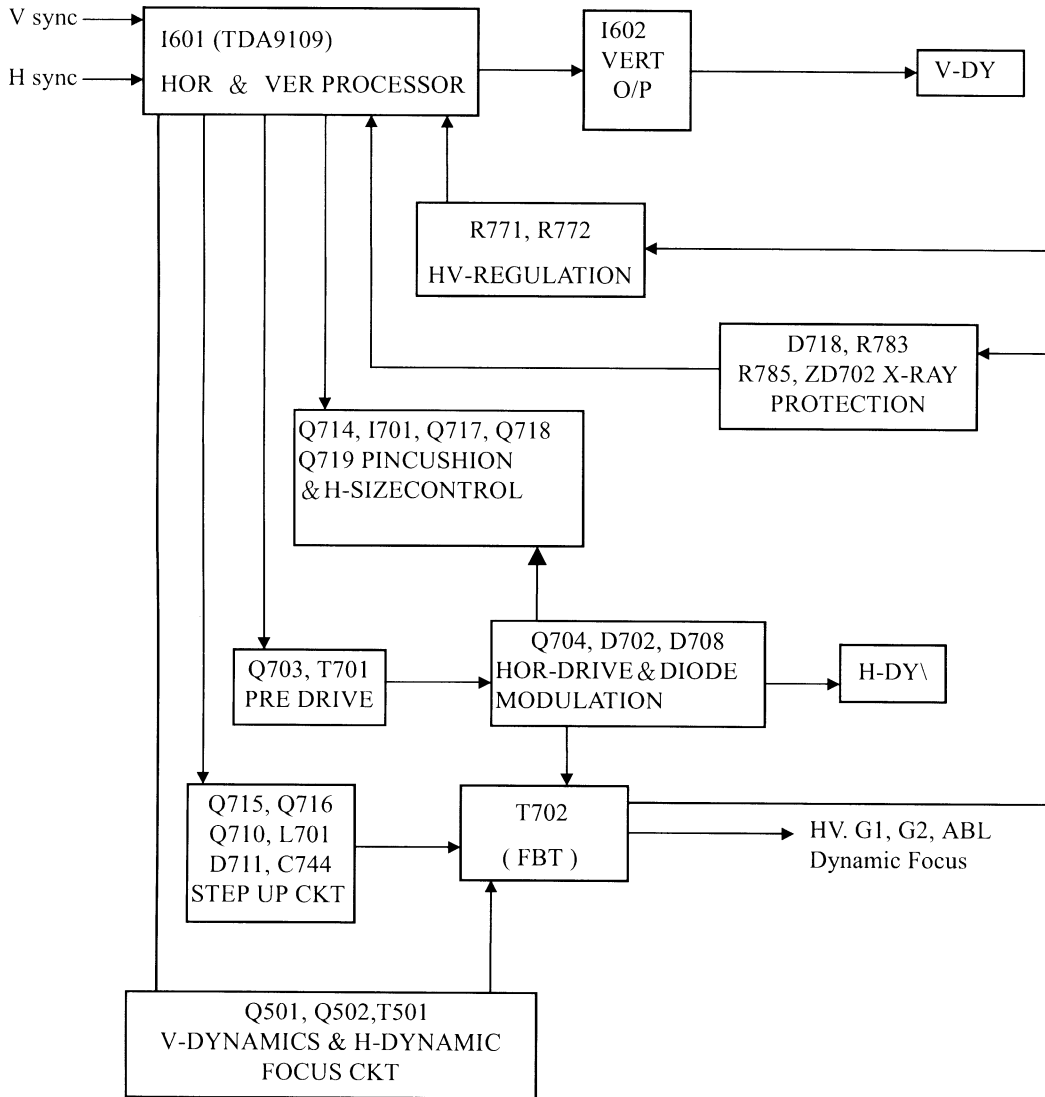
1. VIDEO DIAGRAM



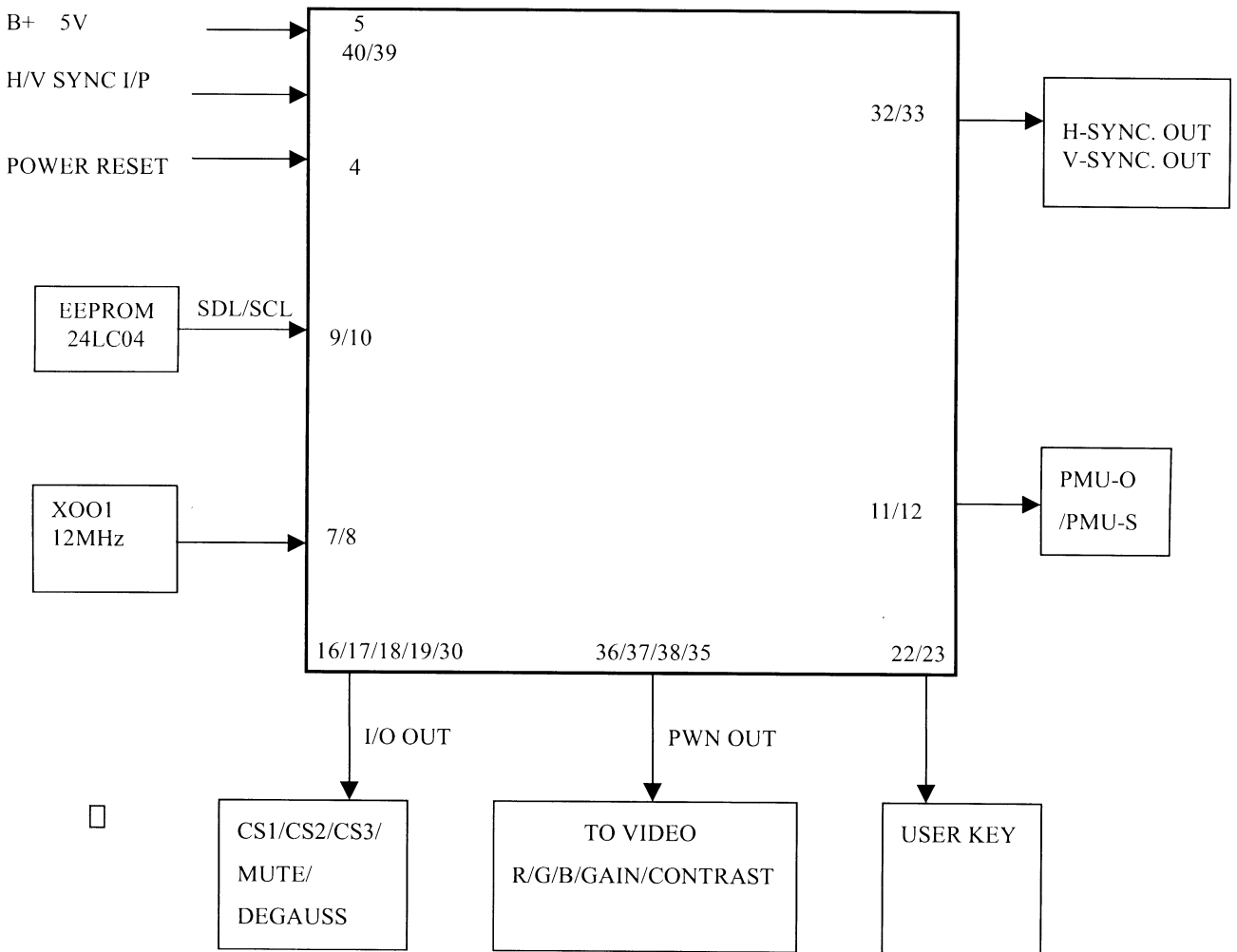
2. POWER BLOCK DIAGRAM



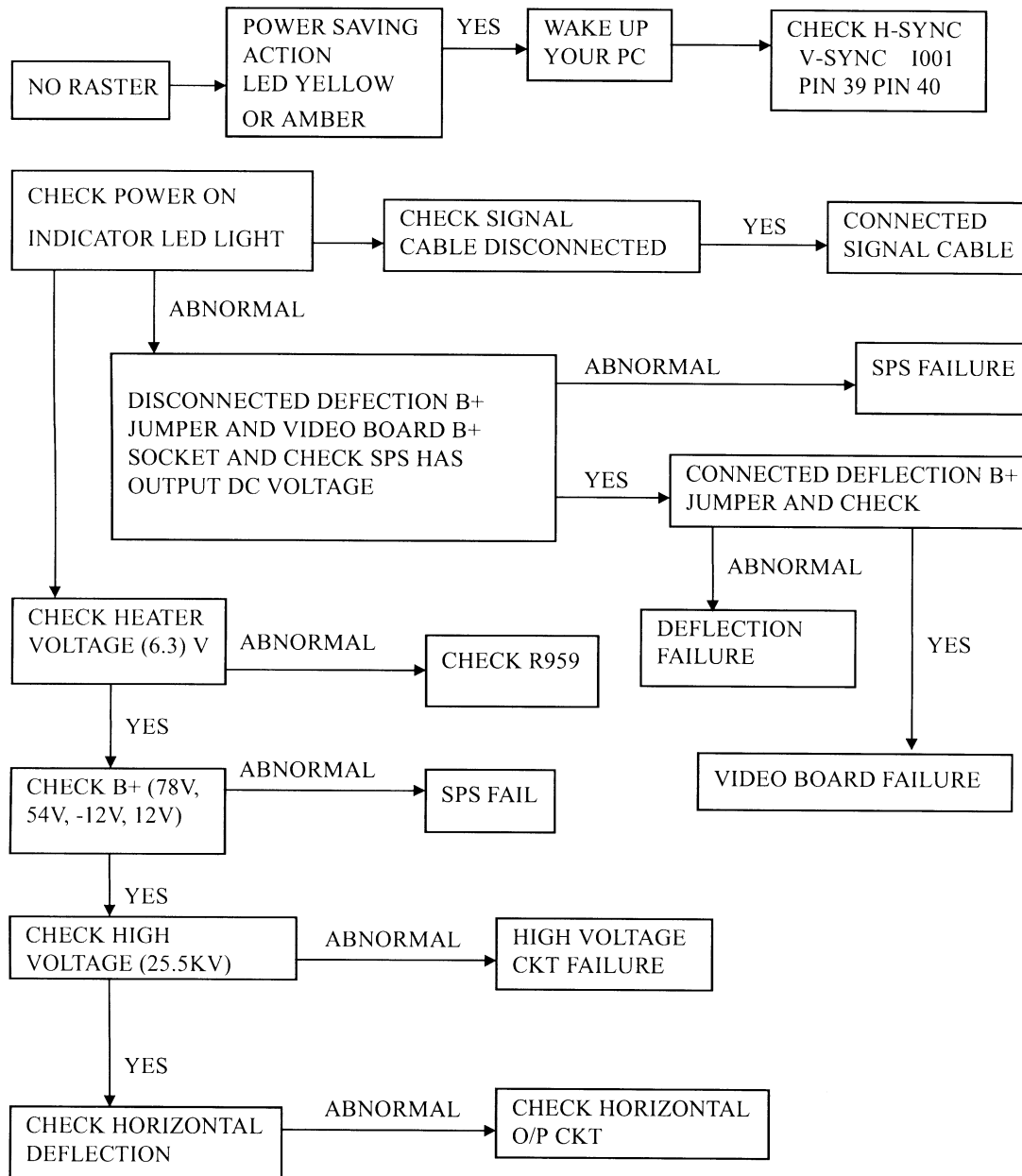
3. DEFLECTION

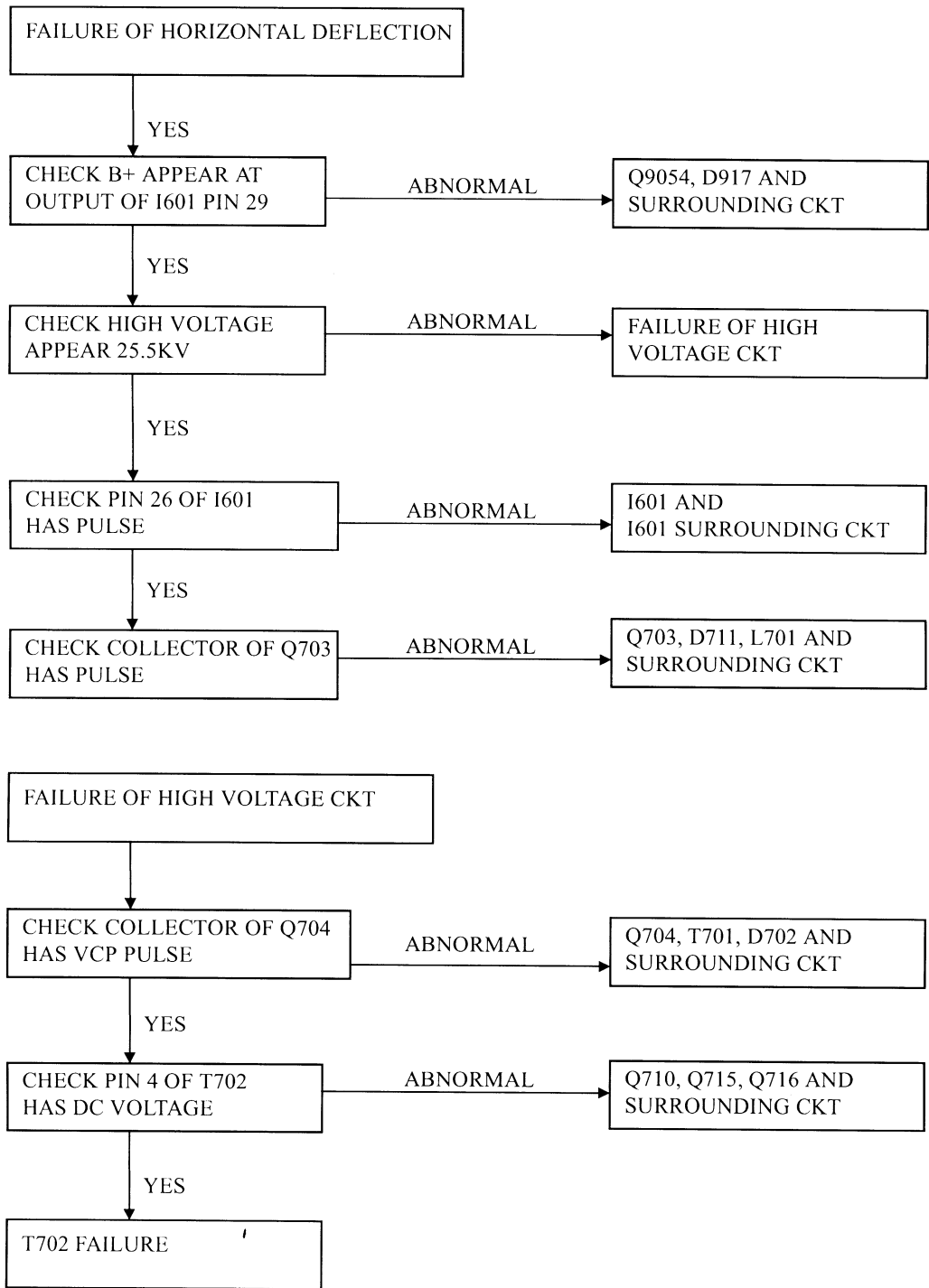


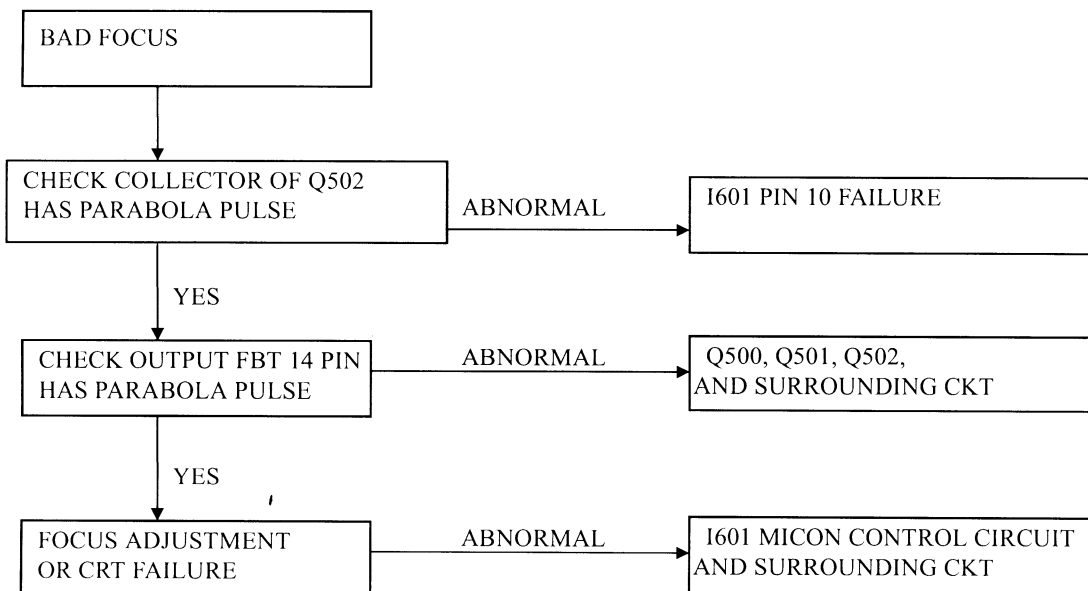
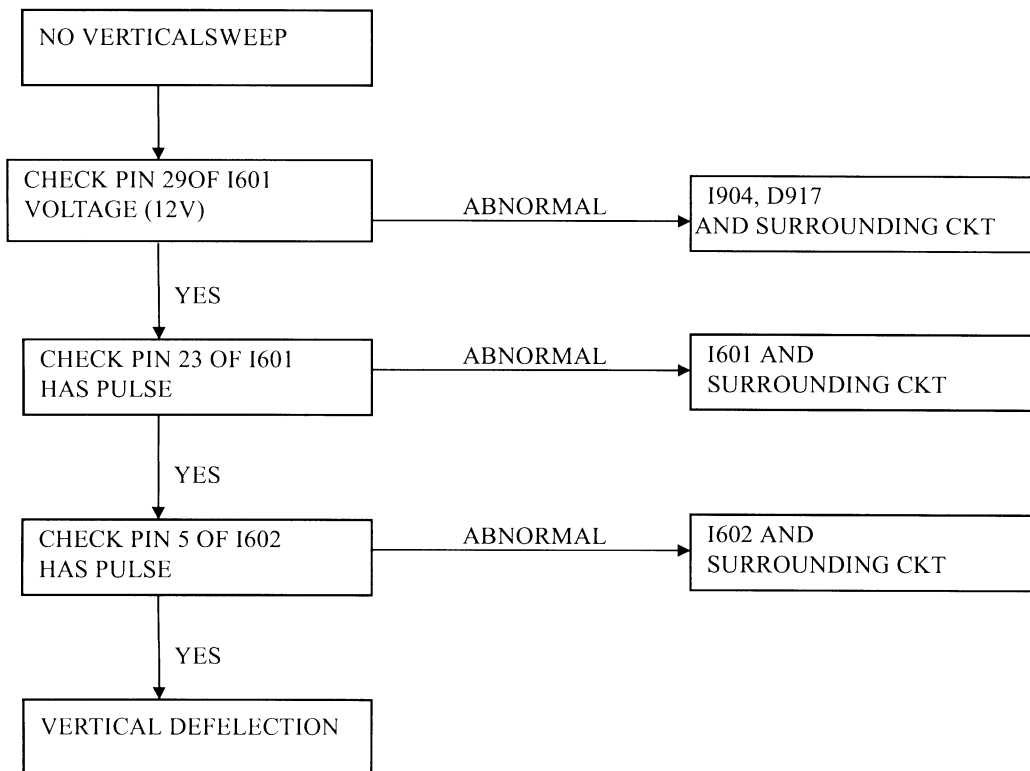
4. MICRO CIRCUIT BLOCK DIAGRAM

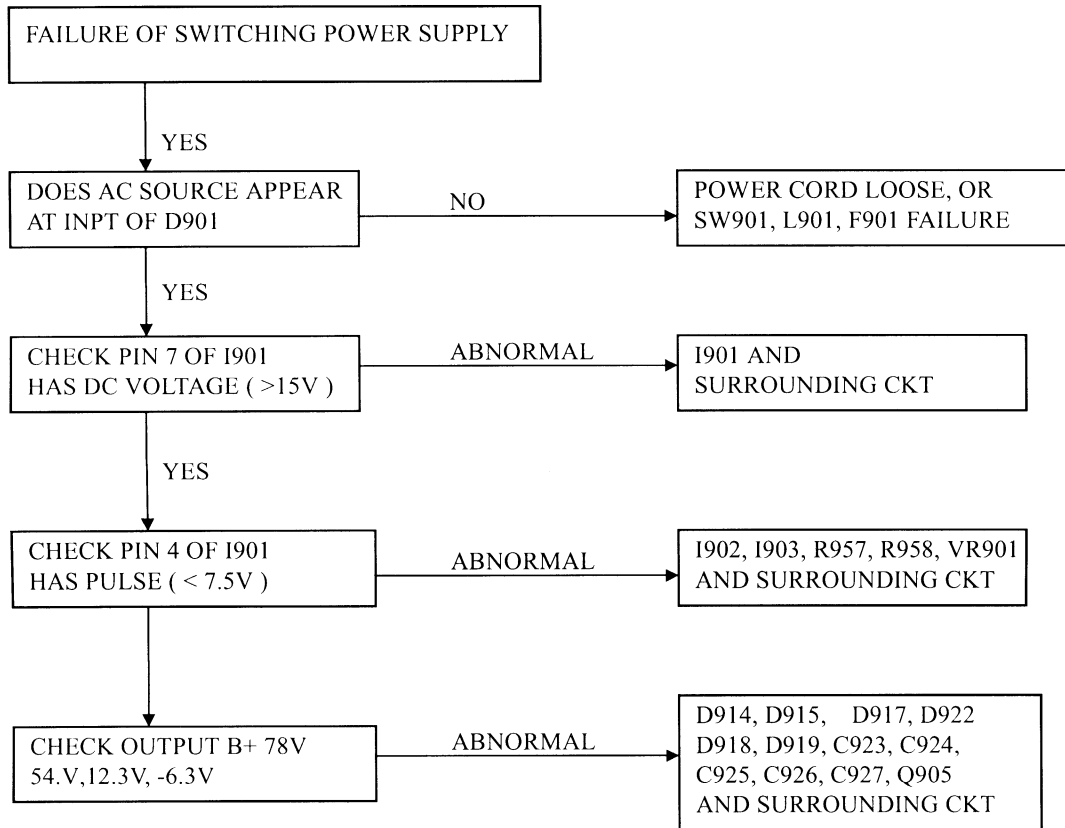


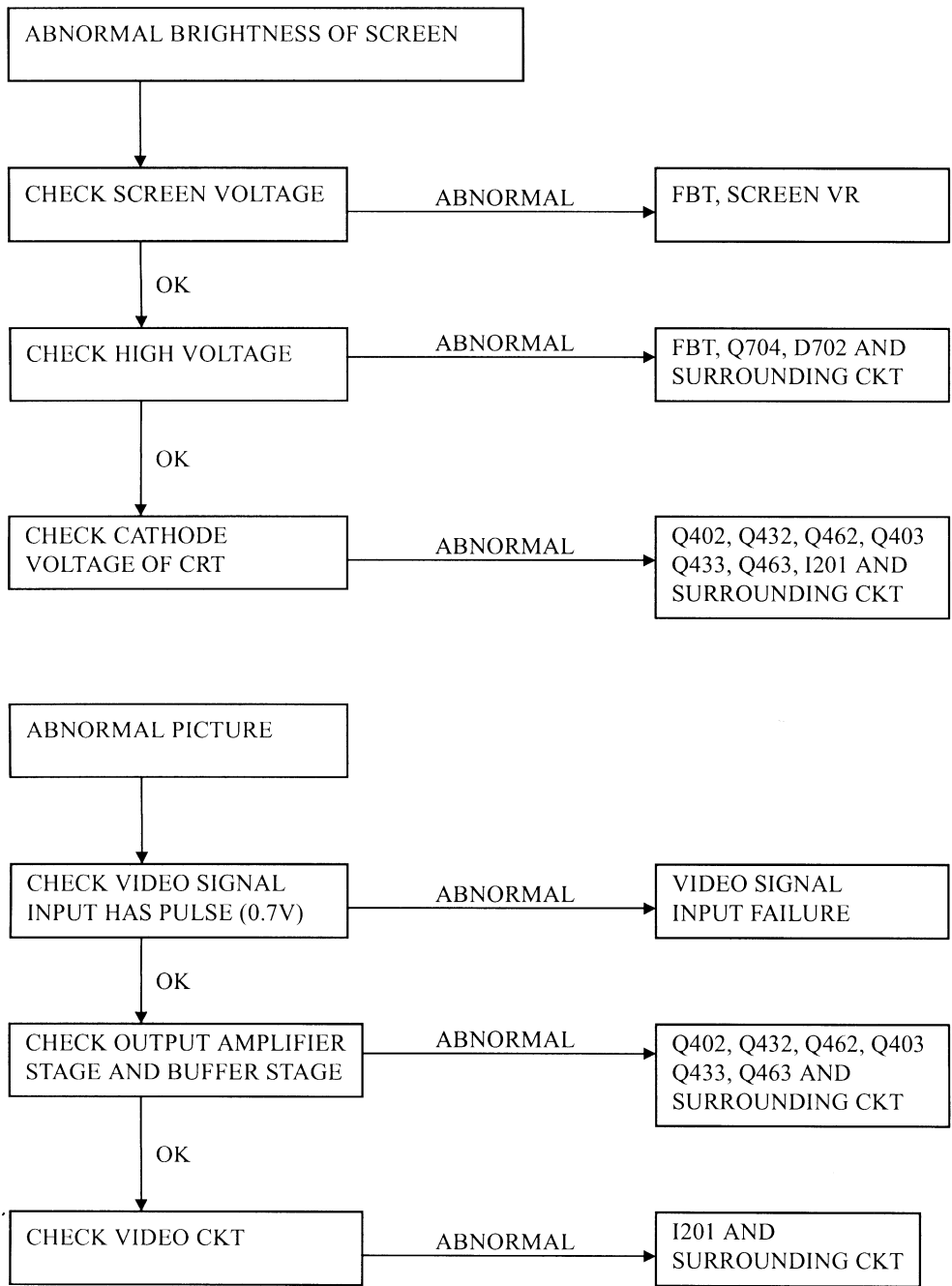
H. TROUBLE SHOOTING











PART NAME & DESCRIPTION			
TYPE		ALLOWANCE	
C	Carbon	F	±1%
F	Fuse	J	±5%
M	Metal	K	±10%
N	Metal Oxide	M	±20%
S	Solid	G	±2%
VR	Variable		
W	Wire Wound		

PART NAME & DESCRIPTION			
TYPE		ALLOWANCE	
C	Ceramic	C	±0.25pF
E	Electrolytic	D	±0.5pF
L	Multilayer Ceramic	F	±1pF
P	Polyester	J	±5%
PP	Polypropylene	K	±10%
S	Styrol	L	±15%
T	Tantalum	M	±20%
M	Metalized Polyester	P	+100%-0%
		Z	+80%-20%

Example:

VRMPTV4--103J-U M 10K J 1/4W

VCEACU1HH107MIP E 100U M 50V

Ref. No.	Parts No.	Description
	DPWBN0718D8MC-T	TECO CRT ASS'Y
	DPWBN0718D8MC-C	CHUNGHWA CRT ASS'Y 2nd
	DPWBN0718D8MC-S	SAMSUNG CRT ASS'Y 2nd
	DPWBN0718D8MC-H	HITACHI CRT ASS'Y 2nd
	DPWBN0718D8MC-P	PANASONIC CRT ASS'Y 2nd
	QPWB-3177D8--4-	MAIN PWB
B200	RCORA1021D8--HU	BEAD CORE
B200	RCORA1021D8--SU	BEAD CORE
B201	RCORA1021D8--HU	BEAD CORE
B201	RCORA1021D8--SU	BEAD CORE
B231	RCORA1021D8--HU	BEAD CORE
B231	RCORA1021D8--SU	BEAD CORE
B304	RCORA1021D8--HU	BEAD CORE
B304	RCORA1021D8--SU	BEAD CORE
B700	RCORA1021D8--HU	BEAD CORE
B700	RCORA1021D8--SU	BEAD CORE 2nd
B701	QJUM-1045D8050-	JUMPER
B701	RCORA5050D8---P	BEAD CORE
B702	RCORA1018T8--H-	BEAD CORE
B702	RCORA1018T8--S-	BEAD CORE
B901	RCORA1021D8--HU	BEAD CORE
B901	RCORA1021D8--SU	BEAD CORE
B902	QJUM-1045D8100-	JUMPER
B903	RCORA1021D8--HU	BEAD CORE
B903	RCORA1021D8--SU	BEAD CORE
B904	RCORA1018T8--H-	BEAD CORE
B904	RCORA1018T8--S-	BEAD CORE
B905	RCORA1018T8--H-	BEAD CORE
B905	RCORA1018T8--S-	BEAD CORE
B906	RCORA1021D8--HU	BEAD CORE
B906	RCORA1021D8--SU	BEAD CORE

B907	RCORA1018T8----	BEAD CORE
B907	RCORA1018T8--HA	BEAD CORE
B908	RCORA1018T8--H-	BEAD CORE
B908	RCORA1018T8--S-	BEAD CORE
B909	RCORA1027D8---P	BEAD CORE
B910	RCORA1018T8--H-	BEAD CORE
B910	RCORA1018T8--S-	BEAD CORE 2nd
C001	VCEACU1JG106M-P	E 10U M 63V
C002	VCSFDU1EY104Z-P	C .1U Z 25V
C003	VCEACU1CG107M-P	E 100U M 16V
C004	VCSFDU1EY104Z-P	C .1U Z 25V
C006	VCDSDU1HL201J-P	C 200P J 50V
C007	VCKBDU1HY151K-P	C 150P K 50V
C008	VCSFDU1EY104Z-P	C .1U Z 25V
C008A	VCEACU1CG107M-P	E 100U M 16V
C009	VCDSDU1HL330J-P	C 33P J 50V
C010	VCDSDU1HL330J-P	C 33P J 50V
C011	VCKBDU1HY102K-P	C 1000P K 50V
C014	VCEACU1JG106M-P	E 10U M 63V
C015	VCLEET1HT104M-U	L .1U M 50V
C018	VCEACU1JG106M-P	E 10U M 63V
C019	VCEACU1JG106M-P	E 10U M 63V
C020	VCKBDU1HY102K-P	C 1000P K 50V
C021	VCKBDU1HY102K-P	C 1000P K 50V
C200	VCEACU1JG106M-P	E 10U M 63V
C201	VCEACU1JG106M-P	E 10U M 63V
C202	VCEACU1JG106M-P	E 10U M 63V
C203	VCSFDU1EY104Z-P	C .1U Z 25V
C205	VCEACU1CG337M-P	E 330U M 16V
C206	VCSFDU1EY104Z-P	C .1U Z 25V
C207	VCSFDU1EY104Z-P	C .1U Z 25V
C231	VCEACU1JG106M-P	E 10U M 63V
C232	VCEACU1JG106M-P	E 10U M 63V
C233	VCSFDU1EY104Z-P	C .1U Z 25V
C235	VCEACU1CG337M-P	E 330U M 16V
C236	VCSFDU1EY104Z-P	C .1U Z 25V
C237	VCSFDU1EY104Z-P	C .1U Z 25V
C241	VCSFDU1EY104Z-P	C .1U Z 25V
C261	VCEACU1JG106M-P	E 10U M 63V
C262	VCEACU1JG106M-P	E 10U M 63V
C263	VCSFDU1EY104Z-P	C .1U Z 25V
C267	VCSFDU1EY104Z-P	C .1U Z 25V
C271	VCEACU1JG106M-P	E 10U M 63V
C301	VCEACU1CG477M-P	E 470U M 16V
C304	VCEACU1HG225M-P	E 2.2U M 50V
C305	VCSFDU1EY104Z-P	C .1U Z 25V
C311	VCKFDU1HY103Z-P	C .01U Z 50V
C312	VCKFDU1HY103Z-P	C .01U Z 50V
C317	VCKBDU1HY102K-P	C 1000P K 50V
C318	VCKFDU1HY103Z-P	C .01U Z 50V
C319	VCKBDU1HY102K-P	C 1000P K 50V
C321	VCEACU1AG107M-P	E 100U M 10V
C322	VCSFDU1EY104Z-P	C .1U Z 25V
C323	VCEACU1AG107M-P	E 100U M 10V
C324	VCSFDU1EY104Z-P	C .1U Z 25V
C341	VCDSDU1HL101J-P	C 100P J 50V
C342	VCDSDU1HL101J-P	C 100P J 50V
C500	VCKBDU2HY102K-P	C 1000P K 500V

C501	VCEACU1HG226M-P	E 22U M 50V
C502	VCKBDU2HY222K-P	C 2200P K 500V
C503	VCMEHF2GG473K--	M .047U K 400V
C503	VCMEHF2GG473KL-	M .047U K 400V 2nd
C601	VCSFDU1EY104Z-P	C .1U Z 25V
C602	VCEACU1EG476M-P	E 47U M 25V
C603	VCSFDU1EY104Z-P	C .1U Z 25V
C604	VCMECU1JG224JLP	M .22U J 63V
C604	VCMEIU1HG224JNP	M .22U J 50V
C605	VCMECU1JG474J9P	M .47U J 63V 2nd
C605	VCMECU1JG474JEP	M .47U J 63V 2nd
C605	VCMECU1JG474JLP	M .47U J 63V
C605	VCMEIU1HG474JNP	M .47U J 50V 2nd
C606	VCKFDU1HY103Z-P	C .01U Z 50V
C607	VCEACU1CG227M-P	E 220U M 16V
C608	VCKFDU1HY103Z-P	C .01U Z 50V
C609	VCKBDU1HY101K-P	C 100P K 50V
C610	VCEACF1VG227M--	E 220U M 35V
C612	VCEACF1CG108M--	E 1000U M 16V
C613	VCKFDU1HY103Z-P	C .01U Z 50V
C614	VCEACF1CG108M--	E 1000U M 16V
C615	VCKFDU1HY103Z-P	C .01U Z 50V
C616	VCMECU1JC224J9P	M .22U J 63V
C616	VCMECU1JG224JLP	M .22U J 63V
C617	VCKFDU2HY103Z-P	C .01U Z 500V
C618	VCEACU2AG105M-P	E 1U M 100V
C701	VCPPBU2AK561J9P	P 560P J 100V
C701	VCPPHU2AG561J9P	P 560P J 100V
C701	VCPPHU2AG561JLP	P 560P J 100V
C702	VCEACU2AG475M-P	E 4.7U M 100V
C703	VCPEHU1HG223J-P	P .022U J 50V
C703	VCPELU1HG223J-P	M .022U J 50V 2nd
C704	VCMECU1JG224JLP	M .22U J 63V
C704	VCMEIU1HG224JNP	M .22U J 50V 2nd
C705	VCKFDU1HY103Z-P	C .01U Z 50V
C706	VCEACU1CG227M-P	E 220U M 16V
C707	VCSFDU1EY104Z-P	C .1U Z 25V
C708	VCPEHU1HG103J-P	P .01U J 50V
C708	VCPELU1HG103J-P	P .01U J 50V
C709	VCEACU1EG476M-P	E 47U M 25V
C710	VCEACU1JG106M-P	E 10U M 63V
C711	VCEACU1JG106M-P	E 10U M 63V
C712	VCKBDU2HY222K-P	C 2200P K 500V
C713	VCEACU1JG107M-P	E 100U M 63V
C715	VCPEHU1HG124J-P	P .12U J 50V
C715	VCPELU1HG124J-P	P .12U J 50V 2nd
C716	VCMECU1JC224J9P	M .22U J 63V 2nd
C716	VCMECU1JG224JLP	M .22U J 63V
C718	VCMPBF3CC682J9-	M 6800P J 1600V
C718	VCMPHF3CG682JS-	M 6800P J 1600V 2nd
C718	VCMPHF3DG682JLE	M 6800P J 2KV 2nd
C718	VCMPHF3DG682JTC	M 6800P J 2KV 2nd
C719	VCMPBF3AC472J9-	M 4700P J 1KV 2nd
C719	VCMPHF3AG472JLE	M 4700P J 1KV
C719	VCMPHF3AG472JS-	M 4700P J 1KV 2nd
C719	VCMPHF3AG472JTC	M 4700P J 1KV 2nd
C722	VCPPBU2AK561J9P	P 560P J 100V
C722	VCPPHU2AG561J9P	P 560P J 100V 2nd

C722	VCPPHU2AG561JLP	P 560P J 100V 2nd
C727	VCMPHF2EG364JLD	M .36U J 250V
C727	VCMPHF2EG364JTB	M .36U J 250V 2nd
C727	VCMPMF2GC364J9B	M .36U J 400V 2nd
C728	VCMPHF2EG105JLA	M 1U J 250V
C728	VCMPHF2EG105JTB	M 1U J 250V 2nd
C728	VCMPMF2EC105J9B	M 1U J 250V 2nd
C729	VCMPHF2EG224JLB	M .22U J 250V
C729	VCMPHF2EG224JTB	M .22U J 250V 2nd
C729	VCMPMF2EC224J9B	M .22U J 250V 2nd
C732	VCMPHF2EG154JLB	M .15U J 250V 2nd
C732	VCMPHF2EG154JTB	M .15U J 250V 2nd
C732	VCMPMF2EC154J9B	M .15U J 250V
C734	VCKFDU1HY103Z-P	C .01U Z 50V
C735	VCEACU1HG226M-P	E 22U M 50V
C736	VCSFDU1EY104Z-P	C .1U Z 25V
C737	VCKBDU2HY102K-P	C 1000P K 500V
C738	VCEACU1EG227M-P	E 220U M 25V
C739	VCEACU1VG476M-P	E 47U M 35V
C741	VCEACF2GH106M--	E 10U M 400V
C742	VCEACU2AG474M-P	E .47U M 100V
C743	VCEACU2AG106M-P	E 10U M 100V
C744	VCEACF2EG226M--	E 22U M 250V
C744	VCEACF2EY226Y--	E 22U M 250V 2nd
C745	VCEACU1HG226M-P	E 22U M 50V
C746	VCEACU2AG474M-P	E .47U M 100V
C747	VCKFDU1HY103Z-P	C .01U Z 50V
C748	VCENCU1HG474M-P	E .47U M 50V
C749	VCKBDU1HY222K-P	C 2200P K 50V
C751	VCEACF1CG108M--	E 1000U M 16V
C752	VCMEHF2EG684K--	M .68U K 250V
C752	VCMEHF2EG684KL-	M .68U K 250V
C753	VCPELU2AG104J-P	P .1P J 100V
C754	VCKBDU2HY102K-P	C 2200P K 500V
C756	VCKBDU2HY471K-P	C 470P K 500V
C758	VCMEHF2AG105J--	M 1U J 100V
C759	VCSFDU1EY104Z-P	C .1U Z 25V
C760	VCKFDU1HY103Z-P	C .01U Z 50V
C764	VCSFDU1EY104Z-P	C .1U Z 25V
C765	VCKFDU1HY103Z-P	C .01U Z 50V
C766	VCKBDU1HY102K-P	C 1000P K 50V
C767	VCMEIU1HG104JNP	M .1U J 50V
C768	VCEACU1JG106M-P	E 10U M 63V
C769	VCKFDU1HY103Z-P	C .01U Z 50V
C770	VCKFDU1HY103Z-P	C .01U Z 50V
C773	QJUM-1045D8050-	JUMPER
C774	VCEACU1JG106M-P	E 10U M 63V
C775	VCSFDU1EY104Z-P	C .1U Z 25V
C777	VCKBDU2HY332K-P	C 3300P K 500V
C777A	VCKBDU2HY332K-P	C 3300P K 500V
C7A5	VCDSDU1HL201J-P	C 200P J 50V
C7A6	VCKBDU1HY222K-P	C 2200P K 50V
C7A8	VCMEHF2AG225JL-	M 2.2U J 100V
C901	VCMEBF7EG224MX-	M .22 M 250V
C901	VCMPMF7EG224MX-	M .22 M 250V
C902	VCKFDF7BY222MX3	C 2200P M 125V
C903	VCKFDF7BY222MX3	C 2200P M 125V
C904	VCMEBF7EG224MX-	M .22 M 250V

C904	VCMPMF7EG224MX-	M .22 M 250V 2nd
C905	VCEALS2GY227M--	E 220U M 400V
C906	VCKEEF3AY103Z--	C .01U Z 1KV
C907	VCKBEF3AY471K--	C 470P K 1KV
C909	VCKFDU1HY103Z-P	C .01U Z 50V
C910	VCKFDU1HY103Z-P	C .01U Z 50V
C911	VCEACU1VG476M-P	E 47U M 35V
C912	VCKFDU1HY103Z-P	C .01U Z 50V
C913	VCPELU2AG472J9P	P 4700P J 100V 2nd
C913	VCPPBU2AK472J9P	P 4700P J 100V
C913	VCPPHU2AG472JLP	P 4700P J 100V 2nd
C914	VCEACU2AG105M-P	E 1U M 100V
C915	VCKBDU1HY102K-P	C 1000P K 50V
C916	VCKBDU1HY471K-P	C 470P K 50V
C917	VCKBDU1HY102K-P	C 1000P K 50V
C917A	VCKBEF3AY471K--	C 470P K 1KV
C923	VCEACF2AG107M--	E 100U M 100V
C924	VCEACF2AG337M--	E 330U M 100V
C925	VCEACF1EG108M--	E 1000U M 16V
C925A	VCKFDU1HY103Z-P	C .01U Z 50V
C926	VCEACF1CG108M--	E 1000U M 16V
C926A	VCEACU1CG107M-P	E 100U M 16V
C927	VCEACF1CG108M--	E 1000U M 16V
C927A	VCKFDU1HY473Z-P	C .047U Z 50V
C928	VCKFDF7BY222MX4	C 2200P M 125V
C932	VCEACF1CG108M--	E 1000U M 16V
C933	VCKFDU1HY103Z-P	C .01U Z 50V
C934	VCEACU1CG477M-P	E 470U M 16V
C935	VCSFDU1HY104Z-P	C .1U Z 50V
C936	VCEACU1VG476M-P	E 47U M 35V
D001	VSD1N4148----U	DIODE
D004	VSP5-235YYGTF--	PHOTO DEVICE
D014A	VSD1N4148----U	DIODE
D014A	VSD1N4148----U	DIODE
D201	VSD1N4148----U	DIODE
D202	VSD1N4148----U	DIODE
D231	VSD1N4148----U	DIODE
D232	VSD1N4148----U	DIODE
D261	VSD1N4148----U	DIODE
D262	VSD1N4148----U	DIODE
D301	VSD1N4148----U	DIODE
D303	VSD1N4148----U	DIODE
D500	VSDLY1N4936---U	DIODE
D500	VSDLYBA158----U	DIODE
D500	VSDRGP10G----U	DIODE
D600	VSD1N4001----U	DIODE
D701	VSDLYHER103---U	DIODE
D701	VSDUF4001----U	DIODE 2nd
D702	PCUSP1369D8F--A	CUSHION
D702	PISLM0047D8----	INSULATOR
D702	VSDF08A80-----	DIODE
D702	VSDMUR880E---M-	DIODE 2nd
D702	XJASD30P12000--	SCREW
D703	VSD1N4935----U	DIODE
D703	VSDLYBA159----U	DIODE
D703	VSDRGP10M----U	DIODE
D704	VSDLY1N4936---U	DIODE
D704	VSDLYBA158----U	DIODE

D704	VSDRGP10G-----U	DIODE
D705	VSDLY1N4936---U	DIODE
D705	VSDLYBA158----U	DIODE
D705	VSDRGP10G-----U	DIODE
D706	VSD1N4148-----U	DIODE
D707	VSD1N4148-----U	DIODE
D708	PRDAA6240D8W--Y	RADIATOR
D708	VSD5TUZ47----D-	DIODE 2nd
D708	VSDBY359X-150S-	DIODE
D708	VSDFFPF10F15S8-	DIODE 2nd
D708	VSDFMQ-G2FS--2-	DIODE 2nd
D708	VSDSDS10F150S8-	DIODE 2nd
D708	XJASD30P08000--	SCREW
D709	VSD1N4935-----U	DIODE
D709	VSDLYBA159----U	DIODE
D709	VSDRGP10M-----U	DIODE
D710	VSD1N4935-----U	DIODE
D710	VSDLYBA159----U	DIODE
D710	VSDRGP10M-----U	DIODE
D711	VSDLYSF35A----H	DIODE
D714	VSD1N4148-----U	DIODE
D715	VSD1N4148-----U	DIODE
D716	VSD1N4148-----U	DIODE
D717	VSD1N4148-----U	DIODE
D718	VSDLY1N4936---U	DIODE
D718	VSDLYBA158----U	DIODE
D718	VSDRGP10G-----U	DIODE
D720	VSD1N4935-----U	DIODE 2nd
D720	VSDLYBA159----U	DIODE
D720	VSDRGP10M-----U	DIODE 2nd
D721	VSDLY1N4936---U	DIODE 2nd
D721	VSDLYBA158----U	DIODE
D721	VSDRGP10G-----U	DIODE 2nd
D723	VSD1N4148-----U	DIODE
D725	VSD1N4148-----U	DIODE
D730	VSD1N4148-----U	DIODE
D731	VSD1N4148-----U	DIODE
D733	VSD1N4148-----U	DIODE
D734	VSD1N4531-----U	DIODE
D735	VSD1N4148-----U	DIODE
D736	VSD1N4148-----U	DIODE
D737	VSD1N4148-----U	DIODE
D738	VSD1N4148-----U	DIODE
D739	VSD1N4148-----U	DIODE
D739A	VSD1N4148-----U	DIODE
D740	VSD1N4148-----U	DIODE
D741	VSD1N4148-----U	DIODE
D743	VSD1N4002-----U	DIODE
D744	VSD1N4148-----U	DIODE
D7E0	VSD1N4148-----U	DIODE
D901	VSDLYRL207----U	DIODE
D902	VSDLYRL207----U	DIODE
D903	VSDLYRL207----U	DIODE
D904	VSDLYRL207----U	DIODE
D905	VSDLYHER107---U	DIODE
D905	VSDUF4006-----U	DIODE
D906	VSDLYHER107---U	DIODE
D906	VSDUF4006-----U	DIODE 2nd

D907	VSDLYHER104---U	DIODE
D907	VSDUF4004-----U	DIODE 2nd
D909	VSD1N4148-----U	DIODE
D910	VSD1N4148-----U	DIODE
D912	VSD1N4148-----U	DIODE
D913	VSD1N4148-----U	DIODE
D914	VSDLYHER207---U	DIODE
D915	PRDAA6320D8M---	RADIATOR
D915	VSDLYHER506G--H	DIODE 2nd
D915	VSDRL-4ALFL1-2-	DIODE
D917	VSDLYHER303---H	DIODE
D918	VSDLYHER303---H	DIODE
D919	VSDLYHER303---H	DIODE
D923	VSD1N4148-----U	DIODE
D924	VSD1N4148-----U	DIODE
D925	VSD1N4148-----U	DIODE
F901	QFS-D402SD82ZH-	FUSE
F901	QFSHC1002D8---A	FUSE HOLD 2nd
F901	QFSHC1002D8--JA	FUSE HOLD
GND1	VCNCP4201-----U	CONNECTOR 1PIN
GND2	VCNCP4201-----U	CONNECTOR 1PIN
I001	VSIMCUKM718-1M-	IC 40PIN
I001	VSIMTV212MN32--	IC 40PIN 2nd
I002	PRDAA6242D8W--H	RADIATOR
I002	VSIKA7805CT--8-	IC 3PIN 2nd
I002	VSIL7805CV---Y-	IC 3PIN 2nd
I002	VSIMC7805CT----	IC 3PIN
I003	VSIKS24C041C-8-	IC 8PIN
I003	VSISLA24C04D---	IC 8PIN 2nd
I201	VSILM1282N---N-	IC 28PIN 2nd
I201	VSIMM1382XD----	IC 28PIN
I301	VSIOSD17V1-----	IC 16PIN
I601	VSIKB2511----8-	IC 32PIN
I601	VSITDA9109---Y-	IC 32PIN 2nd
I602	PCUSP1369D8F--A	CUSHION
I602	PISLM0047D8----	INSULATOR
I602	PRDAA6240D8W--Y	RADIATOR
I602	VSITDA8172-----	IC 7PIN
I602	VSITEA8172-----	IC 7PIN 2nd
I602	XJASD30P12000--	SCREW
I701	VSILM358N-----	IC 8PIN
I701	VSILM358N----Y-	IC 8PIN 2nd
I701	VSILM358P----T-	IC 8PIN 2nd
I901	VSISD3842A-----	IC 8PIN 2nd
I901	VSIUC3842B---Y-	IC 8PIN
I902	VSPPC123FY2----	PHOTO DEVICE 2nd
I902	VSPTLP621F-GRD-	PHOTO DEVICE
I902	VSPTLP721F-GRD-	PHOTO DEVICE 2nd
I903	VSIKA431AZ---8P	IC 3PIN
I903	VSISD431T-----P	IC 3PIN 2nd
J10	QJUM-1045D8075-	JUMPER
J101	QJUM-1045D8150-	JUMPER
J103	QJUM-1045D8100-	JUMPER
J104	QJUM-1045D8100-	JUMPER
J105	QJUM-1045D8100-	JUMPER
J106	QJUM-1045D8050-	JUMPER
J107	QJUM-1045D8050-	JUMPER
J108	QJUM-1045D8075-	JUMPER

J109	QJUM-1045D8075-	JUMPER
J11	QJUM-1045D8075-	JUMPER
J110	QJUM-1045D8050-	JUMPER
J111	QJUM-1045D8050-	JUMPER
J112	QJUM-1045D8075-	JUMPER
J113	QJUM-1045D8100-	JUMPER
J115	QJUM-1045D8075-	JUMPER
J116	QJUM-1045D8050-	JUMPER
J117	QJUM-1045D8075-	JUMPER
J118	QJUM-1045D8125-	JUMPER
J119	QJUM-1045D8100-	JUMPER
J12	QJUM-1045D8075-	JUMPER
J120	QJUM-1045D8100-	JUMPER
J121	QJUM-1045D8100-	JUMPER
J122	QJUM-1045D8050-	JUMPER
J123	QJUM-1045D8050-	JUMPER
J124	QJUM-1045D8050-	JUMPER
J125	QJUM-1045D8050-	JUMPER
J126	QJUM-1045D8075-	JUMPER
J127	QJUM-1045D8075-	JUMPER
J128	QJUM-1045D8075-	JUMPER
J129	QJUM-1045D8075-	JUMPER
J13	QJUM-1045D8075-	JUMPER
J130	QJUM-1045D8075-	JUMPER
J131	QJUM-1045D8075-	JUMPER
J132	QJUM-1045D8075-	JUMPER
J133	QJUM-1045D8075-	JUMPER
J134	QJUM-1045D8075-	JUMPER
J135	QJUM-1045D8075-	JUMPER
J136	QJUM-1045D8100-	JUMPER
J14	QJUM-1045D8075-	JUMPER
J15	QJUM-1045D8075-	JUMPER
J16	QJUM-1045D8050-	JUMPER
J17	QJUM-1045D8150-	JUMPER
J18	QJUM-1045D8150-	JUMPER
J19	QJUM-1045D8050-	JUMPER
J2	QJUM-1045D8150-	JUMPER
J20	QJUM-1045D8125-	JUMPER
J21	QJUM-1045D8050-	JUMPER
J22	QJUM-1045D8150-	JUMPER
J23	QJUM-1045D8125-	JUMPER
J24	QJUM-1045D8125-	JUMPER
J25	QJUM-1045D8100-	JUMPER
J26	QJUM-1045D8100-	JUMPER
J27	QJUM-1045D8100-	JUMPER
J28	QJUM-1045D8100-	JUMPER
J29	QJUM-1045D8125-	JUMPER
J30	QJUM-1045D8125-	JUMPER
J31	QJUM-1045D8100-	JUMPER
J32	QJUM-1045D8100-	JUMPER
J33	QJUM-1045D8075-	JUMPER
J34	QJUM-1045D8050-	JUMPER
J35	QJUM-1045D8100-	JUMPER
J36	QJUM-1045D8100-	JUMPER
J37	QJUM-1045D8100-	JUMPER
J38	QJUM-1045D8050-	JUMPER
J39	QJUM-1045D8075-	JUMPER
J40	QJUM-1045D8100-	JUMPER

J41	QJUM-1045D8050-	JUMPER
J42	QJUM-1045D8075-	JUMPER
J43	QJUM-1045D8075-	JUMPER
J44	QJUM-1045D8075-	JUMPER
J45	QJUM-1045D8075-	JUMPER
J46	QJUM-1045D8100-	JUMPER
J47	QJUM-1045D8050-	JUMPER
J48	QJUM-1045D8125-	JUMPER
J49	QJUM-1045D8100-	JUMPER
J5	QJUM-1045D8050-	JUMPER
J51	QJUM-1045D8100-	JUMPER
J52	QJUM-1045D8100-	JUMPER
J53	QJUM-1045D8100-	JUMPER
J54	QJUM-1045D8050-	JUMPER
J55	QJUM-1045D8125-	JUMPER
J56	QJUM-1045D8100-	JUMPER
J57	QJUM-1045D8100-	JUMPER
J58	QJUM-1045D8100-	JUMPER
J59	QJUM-1045D8100-	JUMPER
J6	QJUM-1045D8050-	JUMPER
J60	QJUM-1045D8100-	JUMPER
J61	QJUM-1045D8125-	JUMPER
J62	QJUM-1045D8075-	JUMPER
J63	QJUM-1045D8100-	JUMPER
J64	QJUM-1045D8150-	JUMPER
J65	QJUM-1045D8100-	JUMPER
J66	QJUM-1045D8100-	JUMPER
J69	QJUM-1045D8100-	JUMPER
J7	QJUM-1045D8050-	JUMPER
J70	QJUM-1045D8100-	JUMPER
J71	QJUM-1045D8125-	JUMPER
J72	QJUM-1045D8100-	JUMPER
J73	QJUM-1045D8100-	JUMPER
J74	QJUM-1045D8100-	JUMPER
J76	QJUM-1045D8050-	JUMPER
J77	QJUM-1045D8075-	JUMPER
J78	QJUM-1045D8075-	JUMPER
J79	QJUM-1045D8100-	JUMPER
J8	QJUM-1045D8050-	JUMPER
J80	QJUM-1045D8150-	JUMPER
J81	QJUM-1045D8125-	JUMPER
J82	QJUM-1045D8100-	JUMPER
J83	QJUM-1045D8100-	JUMPER
J84	QJUM-1045D8125-	JUMPER
J85	QJUM-1045D8125-	JUMPER
J86	QJUM-1045D8125-	JUMPER
J87	QJUM-1045D8125-	JUMPER
J88	QJUM-1045D8100-	JUMPER
J89	QJUM-1045D8075-	JUMPER
J9	QJUM-1045D8050-	JUMPER
J90	QJUM-1045D8100-	JUMPER
J91	QJUM-1045D8100-	JUMPER
J92	QJUM-1045D8050-	JUMPER
J93	QJUM-1045D8150-	JUMPER
J94	QJUM-1045D8150-	JUMPER
J95	QJUM-1045D8100-	JUMPER
J96	QJUM-1045D8150-	JUMPER
J97	QJUM-1045D8050-	JUMPER

J98	QJUM-1045D8100-	JUMPER
J99	QJUM-1045D8050-	JUMPER
L700	RCILL1137D8----	LINE COIL
L701	RCHO-2727D8---A	CHOKE
L702	VCNCP0102-PJST-	CONNECTOR 2PIN
L703	RCHO-2742D8----	CHOKE
L704	RCHO-2724D8----	CHOKE
L705	RCHO-2726D8----	CHOKE
L706	QJUM-1045D8100-	JUMPER
L901	RCILF1092D8----	COIL
L902	RCILF1086D8--1-	COIL
NR901	VSHSCK105D8----	THERMISTOR
P002A	VCNCP4234SE----	CONNECTOR 4PIN
P201	VCNCP422C-J----	CONNECTOR 12PIN
P401	VCNCP423BSE----	CONNECTOR 11PIN
P702	QJUM-1050T8----	JUMPER
P702	VCNCP4113SJ----	CONNECTOR 3PIN
P703	VCNCP4222-J----	CONNECTOR 2PIN
P902	VCNCP0022-----U	CONNECTOR 2PIN
POR901	VSQDGC2R9R0Q27-	POSISTOR
POR901	VSQJ209-A80----	POSISTOR 2nd
Q001	VST2SC1815Y---P	TRANSISTOR
Q001	VST2SC945Q----P	TRANSISTOR
Q001	VSTKSC1815Y--8P	TRANSISTOR
Q002	VST2SC1815Y---P	TRANSISTOR 2nd
Q002	VST2SC945Q----P	TRANSISTOR 2nd
Q002	VSTKSC1815Y--8P	TRANSISTOR
Q004	VST2SC1815Y---P	TRANSISTOR
Q004	VST2SC945Q----P	TRANSISTOR
Q004	VSTKSC1815Y--8P	TRANSISTOR
Q005	VST2SA1015Y---P	TRANSISTOR
Q301	VST2SC1815Y---P	TRANSISTOR
Q301	VST2SC945Q----P	TRANSISTOR
Q301	VSTKSC1815Y--8P	TRANSISTOR
Q303	VST2SC1815Y---P	TRANSISTOR
Q303	VST2SC945Q----P	TRANSISTOR
Q303	VSTKSC1815Y--8P	TRANSISTOR
Q304	VST2SC1815Y---P	TRANSISTOR
Q304	VST2SC945Q----P	TRANSISTOR
Q304	VSTKSC1815Y--8P	TRANSISTOR
Q501	VST2SC1815Y---P	TRANSISTOR
Q501	VST2SC945Q----P	TRANSISTOR
Q501	VSTKSC1815Y--8P	TRANSISTOR
Q502	VSTF483-----3P	TRANSISTOR
Q600	VST2SC1815Y---P	TRANSISTOR
Q600	VST2SC945Q----P	TRANSISTOR
Q600	VSTKSC1815Y--8P	TRANSISTOR
Q701	VST2SC1815Y---P	TRANSISTOR
Q701	VST2SC945Q----P	TRANSISTOR
Q701	VSTKSC1815Y--8P	TRANSISTOR
Q702	VSTDTC114ES--RP	TRANSISTOR
Q702	VSTKRC102M----P	TRANSISTOR
Q703	VST2SD667C---HP	TRANSISTOR
Q704	PRDAA6240D8W--Y	RADIATOR
Q704	VST2SC5521---6-	TRANSISTOR 2nd
Q704	VST2SC5552---6-	TRANSISTOR
Q704	XJASD30P10000--	SCREW
Q705	VST2SC1815Y---P	TRANSISTOR

Q705	VST2SC945Q----P	TRANSISTOR
Q705	VSTKSC1815Y--8P	TRANSISTOR
Q71	XJASD30P08000--	SCREW
Q710	PRDAA6242D8W--A	RADIATOR
Q710	VSTIRFS634---8-	TRANSISTOR 2nd
Q710	VSTIRFS634A--8-	TRANSISTOR
Q711	VSTBF421-----3P	TRANSISTOR
Q714	VST2SC1815Y---P	TRANSISTOR
Q714	VST2SC945Q----P	TRANSISTOR
Q714	VSTKSC1815Y--8P	TRANSISTOR
Q715	VST2SC1213C---P	TRANSISTOR
Q716	VST2SA673C----P	TRANSISTOR
Q717	VST2SD667C---HP	TRANSISTOR
Q718	VST2SB716D---HP	TRANSISTOR
Q719	PRDAA6240D8W--Y	RADIATOR
Q719	VST2SB861C-----	TRANSISTOR
Q719	XJASD30P08000--	SCREW
Q720	VST2SC1815Y---P	TRANSISTOR
Q720	VST2SC945Q----P	TRANSISTOR
Q720	VSTKSC1815Y--8P	TRANSISTOR
Q721	VSTCEFF640-----	TRANSISTOR 2nd
Q721	VSTIRF640A---8-	TRANSISTOR
Q721	VSTIRF640MFP-Y-	TRANSISTOR 2nd
Q721	VSTIRF640M---Y-	TRANSISTOR 2nd
Q721	VSTIRFS640A--8-	TRANSISTOR 2nd
Q722	VSTDTC114ES--RP	TRANSISTOR
Q722	VSTKRC102M----P	TRANSISTOR
Q723	VSTCEFF630-----	TRANSISTOR 2nd
Q723	VSTIRF630A---8-	TRANSISTOR
Q723	VSTIRF630M---Y-	TRANSISTOR 2nd
Q723	VSTIRFS630A--8-	TRANSISTOR 2nd
Q724	VST2SD468C----P	TRANSISTOR
Q725	VST2SB562C---HP	TRANSISTOR
Q726	VST2SC1815Y---P	TRANSISTOR
Q726	VST2SC945Q----P	TRANSISTOR
Q726	VSTKSC1815Y--8P	TRANSISTOR
Q901	PRDAA6208D8W--H	RADIATOR
Q901	VST2SK2996---D-	2nd
Q901	VSTFS7KM-16A-L-	2nd
Q901	VSTSSS7N60A--8-	TRANSISTOR
Q901	VSTSSS7N80A--8-	2nd
Q901	XJASD30P10000--	SCREW
Q902	VSTDTC114ES--RP	TRANSISTOR
Q902	VSTKRC102M----P	TRANSISTOR
Q905	VST2SA950Y----P	TRANSISTOR
Q906	VST2SC1815Y---P	TRANSISTOR 2nd
Q906	VST2SC945Q----P	TRANSISTOR 2nd
Q906	VSTKSC1815Y--8P	TRANSISTOR
Q907	VSTDTC114ES--RP	TRANSISTOR
Q907	VSTKRC102M----P	TRANSISTOR
Q908	VST2SA1015Y---P	TRANSISTOR
Q909	VST2SD468C----P	TRANSISTOR
Q912	VSTDTC114ES--RP	TRANSISTOR
Q912	VSTKRC102M----P	TRANSISTOR
Q913	VSTDTC114ES--RP	TRANSISTOR 2nd
Q913	VSTKRC102M----P	TRANSISTOR
R001	VRCPTV4--101J-U	C 100 J 1/4W
R002	VRCPTV4--101J-U	C 100 J 1/4W

R004	VRCPTV4--101J-U	C 100 J 1/4W
R005	VRCPTV4--101J-U	C 100 J 1/4W
R008	VRCPTV4--330J-U	C 33 J 1/4W
R009	VRCPTV4--330J-U	C 33 J 1/4W
R012	VRCPTV4--103J-U	C 10K J 1/4W
R012A	VRCPTV4--472J-U	C 4.7K J 1/4W
R013	VRCPTV4--472J-U	C 4.7K J 1/4W
R013A	VRCPTV4--472J-U	C 4.7K J 1/4W
R014	VRCPTV4--221J-U	C 220 J 1/4W
R014A	VRCPTV4--152J-U	C 1.5K J 1/4W
R015	VRCPTV4--101J-U	C 100 J 1/4W
R016	VRCPTV4--101J-U	C 100 J 1/4W
R017	VRCPTV4--472J-U	C 4.7K J 1/4W
R018	VRCPTV4--221J-U	C 220 J 1/4W
R019	VRCPTV4--222J-U	C 2.2K J 1/4W
R023	VRCPTV4--103J-U	C 10K J 1/4W
R024	VRCPTV4--103J-U	C 10K J 1/4W
R025	VRCPTV4--472J-U	C 4.7K J 1/4W
R026	VRCPTV4--152J-U	C 1.5K J 1/4W
R027	VRCPTV4--472J-U	C 4.7K J 1/4W
R028	VRCPTV4--472J-U	C 4.7K J 1/4W
R029	VRCPTV4--102J-U	C 1K J 1/4W
R030	VRCPTV4--103J-U	C 10K J 1/4W
R031	VRCPTV4--103J-U	C 10K J 1/4W
R032	VRCPTV4--103J-U	C 10K J 1/4W
R033	VRCPTV4--472J-U	C 4.7K J 1/4W
R034	VRCPTV4--103J-U	C 10K J 1/4W
R035	VRCPTV4--152J-U	C 1.5K J 1/4W
R036	VRCPTV4--101J-U	C 100 J 1/4W
R037	VRCPTV4--223J-U	C 22K J 1/4W
R038	VRCPTV4--101J-U	C 100 J 1/4W
R042	VRCPTV4--472J-U	C 4.7K J 1/4W
R047	VRCPTV4--103J-U	C 10K J 1/4W
R060	VRCPTV4--223J-U	C 22K J 1/4W
R061	VRCPTV4--222J-U	C 2.2K J 1/4W
R062	VRCPTV4--223J-U	C 22K J 1/4W
R063	VRCPTV4--222J-U	C 2.2K J 1/4W
R073	VRCPTV4--472J-U	C 4.7K J 1/4W
R074	VRCPTV4--472J-U	C 4.7K J 1/4W
R074A	VRCPTV4--472J-U	C 4700 J 1/4W
R074A	VRCPTV4--472J-U	C 4700 J 1/4W
R081	VRCPTV4--102J-U	C 1K J 1/4W
R086	VRCPTV4--472J-U	C 4.7K J 1/4W
R087	VRCPTV4--472J-U	C 4.7K J 1/4W
R088	VRCPTV4--472J-U	C 4.7K J 1/4W
R089	VRCPTV4--223J-U	C 22K J 1/4W
R090	VRCPTV4--223J-U	C 22K J 1/4W
R091	VRCPTV4--223J-U	C 22K J 1/4W
R110	VRCPTV4--102J-U	C 1K J 1/4W
R200	VRCPTV4--303J-U	C 30K J 1/4W
R201	VRMPTV4-75R0F-U	M 75 F 1/4W
R203	VRCPTV4--330J-U	C 33 J 1/4W
R204	VRCPTV4--393J-U	C 39K J 1/4W
R206	VRMPTV6-3000F-U	M 300 F 1/6W
R228	VRCPTV4--822J-U	C 8.2K J 1/4W
R229	VRMPTV6--102J-U	M 1K J 1/6W
R230	VRCPTV4--102J-U	C 1K J 1/4W
R231	VRMPTV4-75R0F-U	M 75 F 1/4W

R233	VRCPTV4--330J-U	C 33 J 1/4W
R234	VRMPTV6--393J-U	M 39K J 1/6W
R236	VRMPTV6-3000F-U	M 300 F 1/6W
R241	VRCPTV4--221J-U	C 220 J 1/4W
R258	VRCPTV4--822J-U	C 8.2K J 1/4W
R259	VRMPTV6--152J-U	M 1.5K J 1/6W
R260	VRCPTV4--223J-U	C 22K J 1/4W
R261	VRMPTV4-75R0F-U	M 75 F 1/4W
R263	VRCPTV4--330J-U	C 33 J 1/4W
R264	VRMPTV6--393J-U	M 39K J 1/6W
R266	VRMPTV6-3000F-U	M 300 F 1/6W
R289	VRCPTV4--102J-U	C 1K J 1/4W
R290	VRCPTV4--472J-U	C 4.7K J 1/4W
R301	VRCMTV2--102J-U	C 1K J 1/2W
R302	VRCPTV4--123J-U	C 12K J 1/4W
R303	VRCPTV4--104J-U	C 100K J 1/4W
R304	VRCPTV4--104J-U`	C 100K J 1/4W
R305	VRCPTV4--102J-U	C 1K J 1/4W
R307	QJUM-1045D8100-	JUMPER
R310	VRMPTV6--101J-U	M 100 J 1/6W
R311	VRMPTV6--101J-U	M 100 J 1/6W
R312	VRMPTV6--101J-U	M 100 J 1/6W
R313	VRMPTV6--101J-U	M 100 J 1/6W
R314	VRMPTV6--103J-U	M 10K J 1/6W
R315	VRMPTV6--103J-U	M 10K J 1/6W
R316	VRMPTV6--103J-U	M 10K J 1/6W
R317	VRMPTV6--103J-U	M 10K J 1/6W
R318	VRCPTV4--151J-U	C 150 J 1/4W
R319	VRCPTV4--102J-U	C 1K J 1/4W
R330	VRCPTV4--151J-U	C 150 J 1/4W
R331	VRCPTV4--105J-U	C 1M J 1/4W
R332	VRCPTV4--562J-U	C 5.6K J 1/4W
R333	VRCPTV4--562J-U	C 5.6K J 1/4W
R334	VRCPTV4--682J-U	C 6.8K J 1/4W
R335	VRMPTV6--473J-U	M 47K J 1/6W
R336	VRCPTV4--103J-U	C 10K J 1/4W
R341	VRCPTV4--101J-U	C 100 J 1/4W
R342	VRCPTV4--101J-U	C 100 J 1/4W
R345	VRCPTV4--102J-U	C 1K J 1/4W
R346	VRCPTV4--103J-U	C 10K J 1/4W
R347	VRCPTV4--103J-U	C 10K J 1/4W
R348	VRCPTV4--102J-U	C 1K J 1/4W
R349	VRCPTV4--102J-U	C 1K J 1/4W
R501	VRCPTV4--203J-U	C 20K J 1/4W
R502	VRCPTV4--472J-U	C 4.7K J 1/4W
R503	VRCPTV4--103J-U	C 10K J 1/4W
R504	VRCPTV4--102J-U	C 1K J 1/4W
R505	VRCMTV2--104J-U	C 100K J 1/2W
R506	VRCPTV4--272J-U	C 2.7K J 1/4W
R507	QJUM-1045D8125-	JUMPER
R509	VRNMK02--220J--	N 22 J 2W
R600	VRCPTV4--102J-U	C 1K J 1/4W
R605	VRCPTV4--623J-U	C 62K J 1/4W
R606	VRCPTV4--274J-U	C 270K J 1/4W
R607	VRCPTV4--753J-U	C 75K J 1/4W
R611	VRMPTV4-1502F-U	M 15K F 1/4W
R612	VRCPTV4--272J-U	C 2.7K J 1/4W
R613	VRCPTV4--562J-U	C 5.6K J 1/4W

R614	VRCPTV4--302J-U	C 3K J 1/4W
R615	VRCMTV2--2R2J-U	C 2.2 J 1/2W
R617	VRNMK02--4R7J--	N 4.7 J 2W
R618	VRCMTV2--1R0J-U	C 1 J 1/2W
R619	VRCMTV2--1R5J-U	C 1.5 J 1/2W
R620	VRCMTV2--221J-U	C 220 J 1/2W
R621	VRCPTV4--102J-U	C 1K J 1/4W
R622	VRMPTV4-1000F-U	M 1K F 1/4W
R623	VRCPTV4--333J-U	C 33K J 1/4W
R624	VRCMTV2--1R8J-U	C 1.8 J 1/2W
R701	VRCPTV4--472J-U	C 4.7K J 1/4W
R702	VRCPTV4--472J-U	C 4.7K J 1/4W
R703	VRCPTV4--101J-U	C 100 J 1/4W
R704	VRCPTV4--103J-U	C 10K J 1/4W
R705	VRCPTV4--102J-U	C 1K J 1/4W
R710	VRCPTV4--243J-U	C 24K J 1/4W
R711	VRCPTV4--103J-U`	C 10K J 1/4W
R713	VRMPTV4-7501F-U	M 7.5K F 1/4W
R714	VRCMTV2--182J-U	C 1.8K J 1/2W
R719	VRCPTV4--562J-U	C 5.6K J 1/4W
R720	VRCPTV4--333J-U	C 33K J 1/4W
R721	VRMPTV4-9101F-U	M 9.1K F 1/4W
R725	VRCMTV2--4R7J-U	C 4.7 J 1/2W
R731	VRCPTV4--183J-U	C 18K J 1/4W
R732	VRCPTV4--912J-U	C 9.1K J 1/4W
R733	VRCPTV4--753J-U	C 75K J 1/4W
R734	VRCPTV4--223J-U	C 22K J 1/4W
R735	VRCPTV4--223J-U	C 22K J 1/4W
R736	VRCPTV4--302J-U	C 3K J 1/4W
R737	VRCPTV4--473J-U	C 47K J 1/4W
R738	VRCPTV4--203J-U	C 20K J 1/4W
R739	VRCPTV4--392J-U	C 3.9K J 1/4W
R740	VRCPTV4--473J-U	C 47K J 1/4W
R742	VRCPTV4--102J-U	C 1K J 1/4W
R744	VRCPTV4--100J-U	C 10 J 1/4W
R746	VRNMK01--221J--	N 220 J 1W
R747	VRNMK02--563J--	N 56K J 2W
R748	VRCPTV4--122J-U	C 1.2K J 1/4W
R750	VRCPTV4--332J-U	C 3.3K J 1/4W
R751	VRLCQ10--391J--	L 390 J 10W
R752	VRNMK02--R75J--	N .75 J 2W
R753	VRCMTV2--5R6J-U	C 5.6 J 1/2W
R754	VRCPTV4--470J-U	C 47 J 1/4W
R757	VRCPTV4--220J-U	C 22 J 1/4W
R758	VRCPTV4--224J-U	C 220K J 1/4W
R759	VRCMTV2--271J-U	C 270 J 1/2W
R760	VRCPTV4--100J-U	C 10 J 1/4W
R761	VRCPTV4--473J-U	C 47K J 1/4W
R762	VRCPTV4--104J-U	C 100K J 1/4W
R763	VRNMK02--220J--	N 22 J 2W
R764	VRCPTV4--100J-U	C 10 J 1/4W
R765	VRCPTV4--223J-U	C 22K J 1/4W
R766	VRCPTV4--202J-U	C 2K J 1/4W
R767	VRCPTV4--102J-U	C 1K J 1/4W
R768	VRCPTV4--104J-U	C 100K J 1/4W
R769	VRMPTV4--100J-U	M 10 J 1/4W
R770	VRCPTV4--244J-U	C 240K J 1/4W
R771	VRCPTV4--103J-U	C 10K J 1/4W

R772	VRMPTV4-7502F-U	M 75K F 1/4W
R773	VRCPTV4--472J-U	C 4.7K J 1/4W
R774	VRCPTV4--102J-U	C 1K J 1/4W
R775	VRCPTV4--104J-U	C 100K J 1/4W
R778	VRCPTV4--563J-U	C 56K J 1/4W
R779	VRCPTV4--623J-U	C 62K J 1/4W
R780	VRCPTV4--332J-U	C 3.3K J 1/4W
R781	VRMPTV4-7501F-U	M 7.5K F 1/4W
R782	VRMPTV4-1023F-U	M 102K F 1/4W
R783	VRMPTV4-2612F-U	M 26.1K F 1/4W
R785	VRMPTV4-7501F-U	M 7.5K F 1/4W
R787	VRGPTV2--184J-U	MG 180K J 1/2W
R788	VRCMTV2--106J-U	C 10M J 1/2W
R789	VRCPTV4--102J-U	C 1K J 1/4W
R790	VRCMTV2--684J-U	C 680K J 1/2W
R791	VRCPTV4--203J-U	C 20K J 1/4W
R792	VRCPTV4--102J-U	C 1K J 1/4W
R793	VRCPTV4--154J-U	C 150K J 1/4W
R794	VRCPTV4--154J-U	C 150K J 1/4W
R795	VRCPTV4--104J-U	C 100K J 1/4W
R796	VRCPTV4--823J-U	C 82K J 1/4W
R797	VRCPTV4--913J-U	C 91K J 1/4W
R798	VRCPTV4--472J-U	C 4.7K J 1/4W
R799	VRCPTV4--102J-U	C 1K J 1/4W
R7A0	VRCPTV4--104J-U	C 100K J 1/4W
R7A1	VRCPTV4--203J-U	C 20K J 1/4W
R7A2	VRCPTV4--103J-U	C 10K J 1/4W
R7A3	VRCMTV2--122J-U	C 1.2K J 1/2W
R7A4	VRCMTV2--471J-U	C 470 J 1/2W
R7A5	VRCPTV4--754J-U	C 750K J 1/4W
R7A6	VRCPTV4--203J-U	C 20K J 1/4W
R7A7	VRCPTV4--473J-U	C 47K J 1/4W
R7C0	VRCPTV4--104J-U	C 100K J 1/4W
R7C1	VRCPTV4--100J-U	C 10 J 1/4W
R7C2	VRCPTV4--473J-U	C 47K J 1/4W
R7E1	VRCPTV4--471J-U	C 470 J 1/4W
R7E2	VRCPTV4--472J-U	C 4.7K J 1/4W
R7E3	VRCMTV2--1R0J-U	C 1 J 1/2W
R7F5	VRCPTV4--624J-U	C 620K J 1/4W
R7F5A	VRCPTV4--474J-U	C 470K J 1/4W
R7F6	VRCPTV4--563J-U	C 56K J 1/4W
R7F7	VRCPTV4--223J-U	C 22K J 1/4W
R7F9	VRCMTV2--100J-U	C 10 J 1/2W
R7J1	VRCPTV4--222J-U	C 2.2K J 1/4W
R7J2	VRCPTV4--222J-U	C 2.2K J 1/4W
R901	VRCMTV2--564J-U	C 560K J 1/2W
R902	VRNMK05--333J--	N 33K J 5W
R903	VRNMK03--222J--	N 2.2K J 3W
R904	VRNMK03--222J--	N 2.2K J 3W
R906	VRCMTV2--4R7J-U	C 4.7 J 1/2W
R908	VRNMK01--823J--	N 82K J 1W
R911	VRCPTV4--4R7J-U	C 4.7 J 1/4W
R912	VRCMTV2--120J-U	C 12 J 1/2W
R913	VRCPTV4--104J-U	C 100K J 1/4W
R914	VRCPTV4--102J-U	C 1K J 1/4W
R915	VRLK02--R18J--	L .18 J 2W
R916	VRCPTV4--101J-U	C 100 J 1/4W
R918	VRCPTV4--101J-U	C 100 J 1/4W

R919	VRCPTV4--303J-U	C 30K J 1/4W
R920	VRCPTV4--154J-U	C 150K J 1/4W
R921	VRCPTV4--332J-U	C 3.3K J 1/4W
R922	VRCPTV4--332J-U	C 3.3K J 1/4W
R923	VRCPTV4--272J-U	C 2.7K J 1/4W
R926	VRCMTV2--220J-U	C 22 J 1/2W
R927	VRCPTV4--222J-U	C 2.2K J 1/4W
R950	VRCMTV2--104J-U	C 100K J 1/2W
R951	VRNMK02--822J--	N 2.2K J 2W
R953	VRCPTV4--102J-U	C 1K J 1/4W
R954	VRCMTV2--821J-U	C 820 J 1/2W
R955	VRCPTV4--103J-U	C 10K J 1/4W
R957	VRCPTV4--473J-U	C 47K J 1/4W
R958	VRCPTV4--222J-U	C 2.2K J 1/4W
R959	VRNMK02--1R0J--	N 1 J 2W
R960	VRCPTV4--102J-U	C 1K J 1/4W
R961	VRCPTV4--102J-U	C 1K J 1/4W
R962	VRCMTV2--122J-U	C 1.2K J 1/2W
R963	VRCPTV4--153J-U	C 15K J 1/4W
R970	VRCPTV4--122J-U	C 1.2K J 1/4W
R971	VRCPTV4--152J-U	C 1.5K J 1/4W
R972	VRCPTV4--473J-U	C 47K J 1/4W
R973	VRCPTV4--332J-U	C 3.3K J 1/4W
R974	VRCPTV4--272J-U	C 2.7K J 1/4W
R975	VRCPTV4--103J-U	C 10K J 1/4W
R976	VRFPKV2--R22J--	F 10 J 1/2W
R977	VRCMTV2--105J-U	C 1M J 1/2W
RL701	RRLYD1078D8DDJ-	RELAY 2nd
RL701	RRLYD1078D8DZJ-	RELAY
RL901	RRLYD1075D8DZG-	RELAY
RL901	RRLYD1084D8DZG-	RELAY 2nd
SO901	QSOCP1312D8----	AC SOCKET
SR901	VSSBT169D----3P	THYRISTER
SW901	QSW-P1267D8----	SWITCH
T501	RTRNL1019D8---D	TRANSFORMER for TECO CRT
T501	RTRNL1019D8----	TRANSFORMER for other CRT
T701	RTRND1075D8----	TRANSFORMER
T702	DFBTEC055-156CH	FBT 2nd
T702	DFBTEC055-856TH	FBT
T901	RCVTP3127D8---B	CONVERTOR
VR301	RVRSH6014-8203-	VR 20K 2nd
VR301	RVRSH6022D8203-	VR 20K
VR703	RVRSH6014-8102-	VR 1K 2nd
VR703	RVRSH6022D8102-	VR 1K
VR901	RVRSH6014-8501-	VR 500
VR901	RVRSH6022D8501-	VR 500 2nd
X001	RCRSL1148D8----	CRYSTAL
ZD001	VSZBX79C5V6B--U	ZENER DIODE 2nd
ZD001	VSZMTZJ5.6B---U	ZENER DIODE
ZD001	VSZRD5.6EB----U	ZENER DIODE 2nd
ZD002	VSZBX79C5V6B--U	ZENER DIODE 2nd
ZD002	VSZMTZJ5.6B---U	ZENER DIODE
ZD002	VSZRD5.6EB----U	ZENER DIODE 2nd
ZD003	VSZBX79C5V6B--U	ZENER DIODE 2nd
ZD003	VSZMTZJ5.6B---U	ZENER DIODE
ZD003	VSZRD5.6EB----U	ZENER DIODE 2nd
ZD004	VSZBX79C5V6B--U	ZENER DIODE 2nd
ZD004	VSZMTZJ5.6B---U	ZENER DIODE

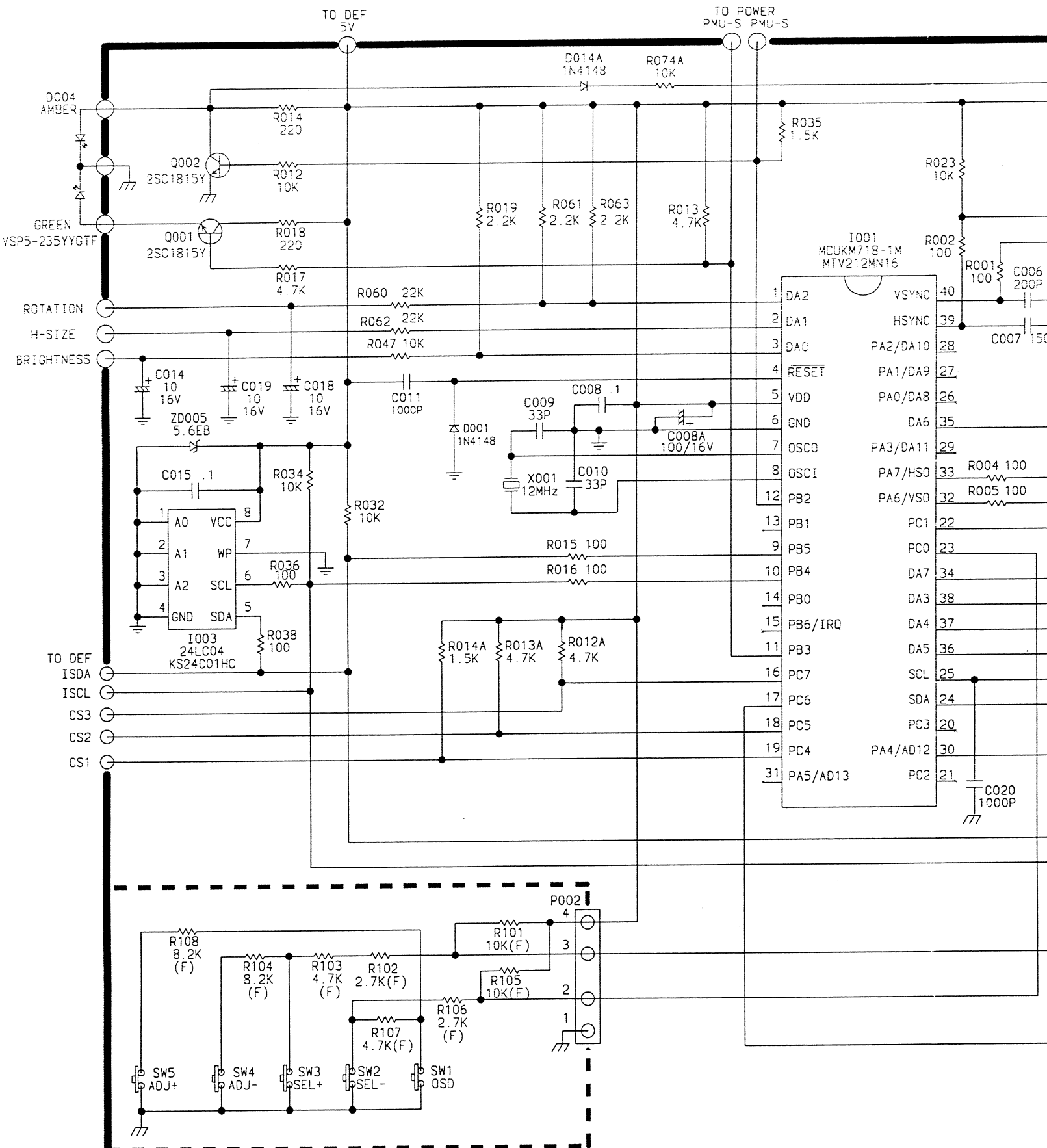
ZD004	VSZRD5.6EB----U	ZENER DIODE 2nd
ZD005	VSZBX79C5V6B--U	ZENER DIODE 2nd
ZD005	VSZMTZJ5.6B---U	ZENER DIODE
ZD005	VSZRD5.6EB----U	ZENER DIODE 2nd
ZD301	VSZBX79C5V1B--U	ZENER DIODE 2nd
ZD301	VSZMTZJ5.1B---U	ZENER DIODE
ZD301	VSZRD5.1EB2---U	ZENER DIODE 2nd
ZD302	VSZBX79C5V1B--U	ZENER DIODE 2nd
ZD302	VSZMTZJ5.1B---U	ZENER DIODE
ZD302	VSZRD5.1EB2---U	ZENER DIODE 2nd
ZD701	VSZBX79C5V1B--U	ZENER DIODE 2nd
ZD701	VSZMTZJ5.1B---U	ZENER DIODE
ZD701	VSZRD5.1EB2---U	ZENER DIODE 2nd
ZD702	VSZBX79C3V9B--U	ZENER DIODE 2nd
ZD702	VSZMTZJ3.9B---U	ZENER DIODE
ZD702	VSZRD3.9EB2---U	ZENER DIODE 2nd
ZD705	VSZBX79C5V1B--U	ZENER DIODE 2nd
ZD705	VSZMTZJ5.1B---U	ZENER DIODE
ZD705	VSZRD5.1EB2---U	ZENER DIODE 2nd
ZD706	VSZBX79C36-B--U	ZENER DIODE 2nd
ZD706	VSZHZ36-1-----U	ZENER DIODE 2nd
ZD706	VSZMTZJ36B----U	ZENER DIODE
ZD707	VSZBX79C6V8B--U	ZENER DIODE 2nd
ZD707	VSZMTZJ6.8B---U	ZENER DIODE
ZD707	VSZRD6.8EB2---U	ZENER DIODE 2nd
ZD719	VSZBX79C9V1B--U	ZENER DIODE 2nd
ZD719	VSZMTZJ9.1B---U	ZENER DIODE
ZD719	VSZRD9.1EB2---U	ZENER DIODE 2nd
ZD901	VSZBX79C24-B--U	ZENER DIODE 2nd
ZD901	VSZBX79C24-J--U	ZENER DIODE 2nd
ZD901	VSZMTZJ24B----U	ZENER DIODE
ZD901	VSZRD24EB2----U	ZENER DIODE 2nd
ZD903	VSZBX79C8V2B--U	ZENER DIODE 2nd
ZD903	VSZMTZJ8.2B---U	ZENER DIODE
ZD903	VSZRD8.2EB2---U	ZENER DIODE 2nd
ZD904	VSZBX79C24-B--U	ZENER DIODE 2nd
ZD904	VSZMTZJ24B----U	ZENER DIODE
ZD904	VSZRD24EB2----U	ZENER DIODE 2nd
ZD905	VSZBX79C6V2B--U	ZENER DIODE 2nd
ZD905	VSZMTZJ6.2B---U	ZENER DIODE
ZD905	VSZRD6.2EB----U	ZENER DIODE 2nd
ZD905	LANGK1751D8M--C	LANGLE
	LHLDP1305D8----	HOLDER PCB
	PSLDM6261D8M--A	SHIELD
	QCNWS0102-8029-	CONNECTOR WITH WIRE
	QTMLW0002-8225-	TERMINAL WITH WIRE
	QTMLW0002-8227-	TERMINAL WITH WIRE
	RCORF1001D8----	FERRITE CORE
	RCORF1011D8----	FERRITE CORE
	TLAB-4967D8----	LABEL
	VCNCP0024-----A	CONNECTOR 4PIN
	VCNCP4201-----U	CONNECTOR 1PIN
	XJTS40P08TV0--	SCREW

	DPWBN0718D8VC1-	VIDEO BOARD ASS'Y
	QPWB-3186D8-A1-	VIDEO BOARD
B400	RCORA1021D8--HU	BEAD CORE
B402	RCORA1021D8--HU	BEAD CORE
B403	RCORA1021D8--HU	BEAD CORE
B404	RCORA1021D8--HU	BEAD CORE
B405	RCORA1021D8--HU	BEAD CORE
B430	RCORA1021D8--HU	BEAD CORE
B460	RCORA1021D8--HU	BEAD CORE
B492	RCORA5050D8---P	BEAD CORE
C400	VCSFNT1EY104Z-U	S .1U Z 25V
C405	VCEACU2AG106M-P	E 10U M 100V
C407	VCSFDU1EY104Z-P	C .1U Z 25V
C408	VCDSDU1HL390J-P	C 390P J 50V
C410	VCDSDU1HL390J-P	C 390P J 50V
C413	VCEACU2AG105M-P	E 1U M 100V
C414	VCKFDU2HY103Z-P	C .01U Z 500V
C415	VCKBDU2HY222K-P	C 2200P Z 500V
C416	VCKBDU2HY102K-P	C 1000P Z 500V
C435	VCEACU2AG106M-P	E 10U M 100V
C437	VCSFDU1EY104Z-P	C .1U Z 25V
C438	VCDSDU1HL470J-P	C 470P J 50V
C440	VCDSDU1HL270J-P	C 270P J 50V
C443	VCEACU2AG105M-P	E 1U M 100V
C444	VCKFDU2HY103Z-P	C .01U Z 500V
C445	VCKBDU2HY222K-P	C 2200P Z 500V
C446	VCKBDU2HY102K-P	C 1000P Z 500V
C465	VCEACU2AG106M-P	E 10U M 100V
C467	VCSFDU1EY104Z-P	C .1U Z 25V
C468	VCDSDU1HL390J-P	C 390P J 50V
C470	VCDSDU1HL470J-P	C 470P J 50V
C473	VCEACU2AG105M-P	E 1U M 100V
C474	VCKFDU2HY103Z-P	C .01U Z 500V
C475	VCKBDU2HY222K-P	C 2200P Z 500V
C476	VCKBDU2HY102K-P	C 1000P Z 500V
C492	VCKBEF3DY102K--	C 1000P K 2KV
C493	VCEACU1JG106M-P	E .10U J 63V
C494	VCKBEF3AY102K--	C 1000P K 1KV
C495	VCEACU1CG337M-P	E 330U M 16V
D403	VSD1N4148----U	DIODE
D405	VSD1N4148----U	DIODE
D406	VSDBAV21-----U	DIODE
D408	VSD1N4148----U	DIODE
D433	VSD1N4148----U	DIODE
D435	VSD1N4148----U	DIODE
D436	VSDBAV21-----U	DIODE
D438	VSD1N4148----U	DIODE
D463	VSD1N4148----U	DIODE
D465	VSD1N4148----U	DIODE
D466	VSDBAV21-----U	DIODE
D468	VSD1N4148----U	DIODE
D491	VSDLYBA158----U	DIODE
D491	VSDRGP10G----U	DIODE
G2	VCNCP4201-----U	CONNECTOR 1PIN
GND	VCNCP4201-----U	CONNECTOR 1PIN
J001	QJUM-1045D8075-	JUMPER
J002	QJUM-1045D8100-	JUMPER
J003	QJUM-1045D8100-	JUMPER

J004	QJUM-1045D8125-	JUMPER
J005	VCKEDF2HY103P--	C .01U P 500V
J006	QJUM-1045D8100-	JUMEPR
L400	VL-EH1R2K0000-U	PEAKING COIL
L402	VL-EH1R0K0000-U	PEAKING COIL
L430	VL-EH1R2K0000-U	PEAKING COIL
L432	VL-EH1R0K0000-U	PEAKING COIL
L460	VL-EH1R2K0000-U	PEAKING COIL
L462	VL-EH1R0K0000-U	PEAKING COIL
Q400	PRDAA6104D8W--B	RADIATOR
Q400	VST2SC3953E--E-	TRANSISTOR
Q400	XJASD30P08000--	SCREW
Q401	VSTPH2369-----P	TRANSISTOR
Q402	VSTBFV420----3P	TRANSISTOR
Q403	VSTBFV421----3P	TRANSISTOR
Q404	VSTBF423-----3P	TRANSISTOR
Q430	PRDAA6104D8W--B	RADIATOR
Q430	VST2SC3953E--E-	TRANSISTOR
Q430	XJASD30P08000--	SCREW
Q431	VSTPH2369-----P	TRANSISTOR
Q432	VSTBFV420----3P	TRANSISTOR
Q433	VSTBFV421----3P	TRANSISTOR
Q434	VSTBF423-----3P	TRANSISTOR
Q460	PRDAA6104D8W--B	RADIATOR
Q460	VST2SC3953E--E-	TRANSISTOR
Q460	XJASD30P08000--	SCREW
Q461	VSTPH2369-----P	TRANSISTOR
Q462	VSTBFV420----3P	TRANSISTOR
Q463	VSTBFV421----3P	TRANSISTOR
Q464	VSTBF423-----3P	TRANSISTOR
R405	VRCPTV4--100J-U	C 10 J 1/4W
R407	VRCPTV4--101J-U	C 100 J 1/4W
R408	VRNMJ05--122J--	N 1.2K J 5W
R411	VRCPTV4--221J-U	C 220 J 1/4W
R413	VRCPTV4--270J-U	C 27 J 1/4W
R415	VRMPTV4-82R0F-U	M 82 F 1/4W
R416	VRCPTV4--331J-U	C 330 J 1/4W
R417	VRCPTV4--220J-U	C 22 J 1/4W
R418	VRCPTV4--220J-U	C 22 J 1/4W
R420	VRCPTV4--105J-U	C 1M J 1/4W
R421	VRCPTV4--101J-U	C 100 J 1/4W
R422	VRCPTV4--152J-U	C 1.5K J 1/4W
R423	VRCPTV4--183J-U	C 18K J 1/4W
R424	VRCPTV4--104J-U	C 100K J 1/4W
R425	VRCPTV4--102J-U	C 1K J 1/4W
R426	VRCPTV4--303J-U	C 30K J 1/4W
R427	VRCPT01--680J-U	C 68 J 1W
R435	VRCPTV4--100J-U	C 10 J 1/4W
R437	VRCPTV4--101J-U	C 100 J 1/4W
R438	VRNMJ05--122J--	N 1.2K J 5W
R441	VRCPTV4--221J-U	C 220 J 1/4W
R443	VRCPTV4--220J-U	C 22 J 1/4W
R445	VRMPTV4-82R0F-U	M 82 F 1/4W
R446	VRCPTV4--471J-U	C 470 J 1/4W
R447	VRCPTV4--220J-U	C 22 J 1/4W
R448	VRCPTV4--220J-U	C 22 J 1/4W
R450	VRCPTV4--105J-U	C 1M J 1/4W
R451	VRCPTV4--101J-U	C 100 J 1/4W

R452	VRCPTV4--302J-U	C 3K J 1/4W
R453	VRCPTV4--183J-U	C 18K J 1/4W
R454	VRCPTV4--104J-U	C 100K J 1/4W
R455	VRCPTV4--102J-U	C 1K J 1/4W
R456	VRCPTV4--303J-U	C 30K J 1/4W
R457	VRCPT01--680J-U	C 68 J 1W
R465	VRCPTV4--100J-U	C 10 J 1/4W
R467	VRCPTV4--101J-U	C 100 J 1/4W
R468	VRNMJ05--122J--	N 1.2K J 5W
R471	VRCPTV4--221J-U	C 220 J 1/4W
R473	VRCPTV4--331J-U	C 330 J 1/4W
R475	VRMPTV4-82R0F-U	M 82 F 1/4W
R476	VRCPTV4--220J-U	C 22 J 1/4W
R477	VRCPTV4--220J-U	C 22 J 1/4W
R478	VRCPTV4--220J-U	C 22 J 1/4W
R480	VRCPTV4--105J-U	C 1M J 1/4W
R481	VRCPTV4--101J-U	C 100 J 1/4W
R482	VRCPTV4--821J-U	C 820 J 1/4W
R483	VRCPTV4--183J-U	C 18K J 1/4W
R484	VRCPTV4--104J-U	C 100K J 1/4W
R485	VRCPTV4--102J-U	C 1K J 1/4W
R486	VRCPTV4--303J-U	C 30K J 1/4W
R487	VRCPT01--680J-U	C 68 J 1W
R491	VRCPT01--101J-U	C 100 J 1W
R492	VRCPT01--564J-U	C 560K J 1W
S304	QSPG-1008D8----	SPARK-GAP
VR425	RVRSV6014-8203-	VR 20K
VR425	RVRSV6022D8203-	VR 20K
VR455	RVRSV6014-8203-	VR 20K
VR455	RVRSV6022D8203-	VR 20K
VR485	RVRSV6014-8203-	VR 20K
VR485	RVRSV6022D8203-	VR 20K 2nd
	PSLDM1651D8M--C	VIDEO SHIELD
	QCNWP090B-8001-	CONNECTOR WITH WIRE
	QSOCC1346D8----	CRT SOCKET
	TLAB-4967D8----	LABEL
	DPWBN0712D8KC--	KEY BOARD ASS'Y
	QPWB-3114D8--1-	OSD CONTROL PANEL BOARD
P002A	QCNWP0904-8003-	CONNECTOR WITH WIRE
R101	VRMPTV4-1002F-U	M 10K F 1/4W
R102	VRMPTV4-2701F-U	M 2.7K F 1/4W
R103	VRMPTV4-4701F-U	M 4.7K F 1/4W
R104	VRMPTV4-8201F-U	M 8.2K F 1/4W
R105	VRMPTV4-1002F-U	M 10K F 1/4W
R106	VRMPTV4-2701F-U	M 2.7K F 1/4W
R107	VRMPTV4-4701F-U	M 4.7K F 1/4W
R108	VRMPTV4-8201F-U	M 8.2K F 1/4W
SW1	QSW-A1073D8----	SWITCH
SW2	QSW-A1073D8----	SWITCH
SW3	QSW-A1073D8----	SWITCH
SW4	QSW-A1073D8----	SWITCH
SW5	QSW-A1073D8----	SWITCH
	TLAB-4862D8----	LABEL
	TLAB-4967D8----	LABEL

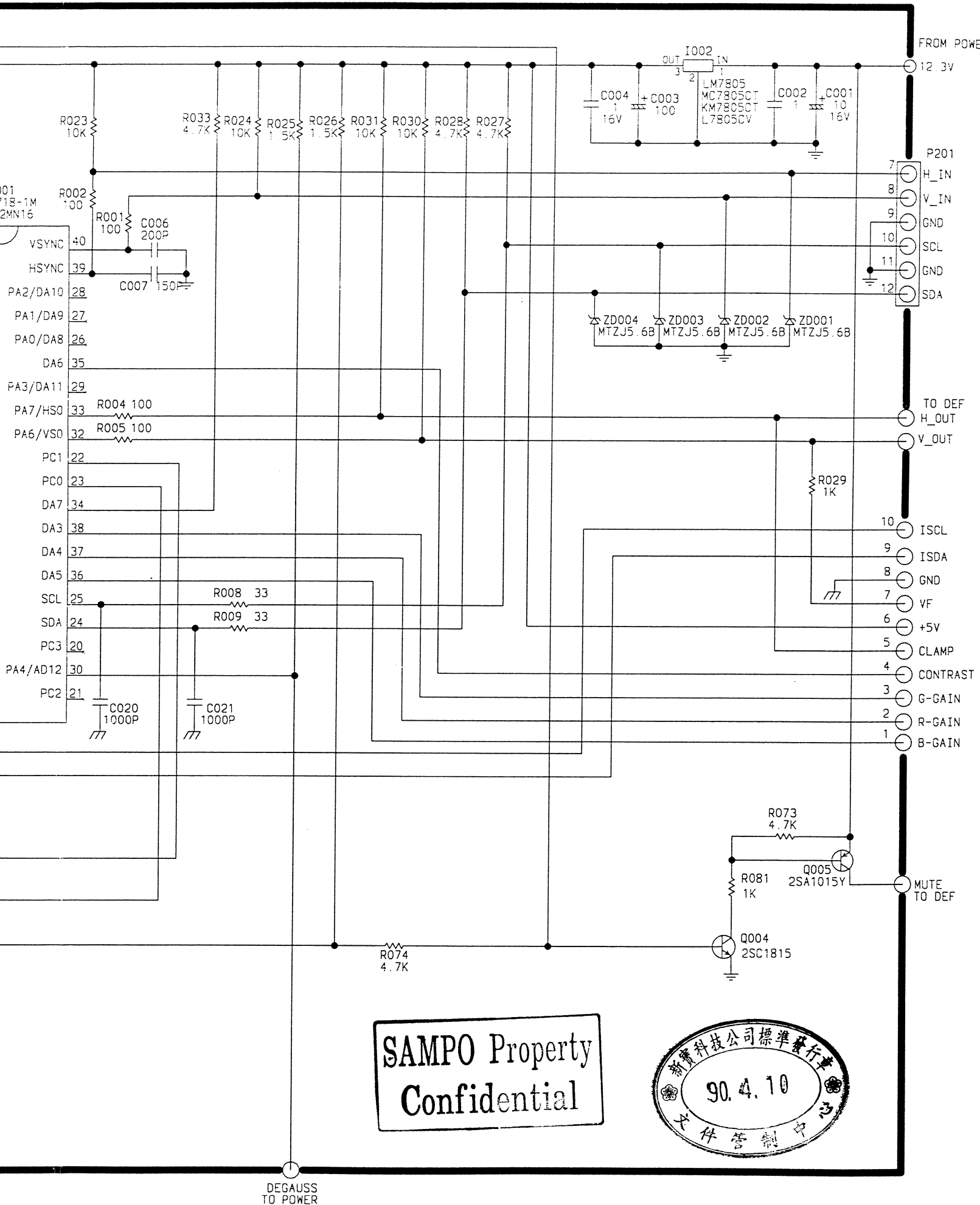
VB41LRS102XX012	TECO CRT
VBM41QAR361X132	SAMSUNG CRT second
VBM41AGE83X76C-	CHUNGHWA CRT second
VBM41KWB680X74-	HITACHI CRT second
VBM41KXH320X22-	PANASONIC CRT second
GCABA1375D8F-F1	FRONT COVER
GCABB1376D8F--O	BACK COVER
GSTN-2084D8K---	STAND
HDECP1823D8F---	LEN'S
JKNBP1746D8F---	KEY KNOB
JKNBP1750D8F--H	POWER KNOB
LANGF1764D8----	LANGLE
LHLDP1317D8F--B	HOLDER PCB
LHLDP1318D8F--B	HOLDER PCB
LHLDW0006-1----	HOLD WIRE
LHLDW1092D8F---	HOLDER WIRE
LX-BZ0040D8SD--	CRT USE
PCUSG1434D8FW--	CUSHION
QACC-1219D8D-D-	AC CORD for120V
QACC-1092D8D-D-	AC CORD for 220V
QCNWS0021-8179-	CONNECTOR WITH WIRE
QCODB0142-8-17A	CORD
QCODS1243D8----	VIDEO CABLE
QEAR-1141D8W---	EARTH PARTS
QTMLW0002-8225A	TERMINAL WITH WIRE
QTMLW0002-8231-	TERMINAL WITH WIRE
RCILG1049D8---Q	ADG COIL
RCILG1095D8----	TILT COIL 2nd
RCILG1135D8----	TILT COIL
SPAKA2553D8F--A	PACKING FORM
SPAKC2574D8—F3	CARTON
SSAKD0010-1-T-C	USER'S MANUAL BAG
SSAKH1292D8---A	PE BAG
TCAD-1174D8----	WARRANTY CARD
TINSE2340D8---C	OWNER'S MANUAL
TLABZ3774D8----	BAR CODE LABEL
TLABM4190D8T---	MODEL LABEL
XBMSD40P10000--	SCREW
XEASD30P10000--	SCREW
XETSD40P16000--	SCREW
XETSD40P30000--	SCREW
XJASD30P06000--	SCREW
XJTS40P08TV0--	SCREW



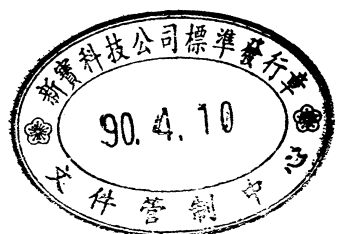
MODEL	KM-718
DWG NO.	PWB-3177-3
UPDATE	02/23/2001
REV. Nr.	P/R M/P-02

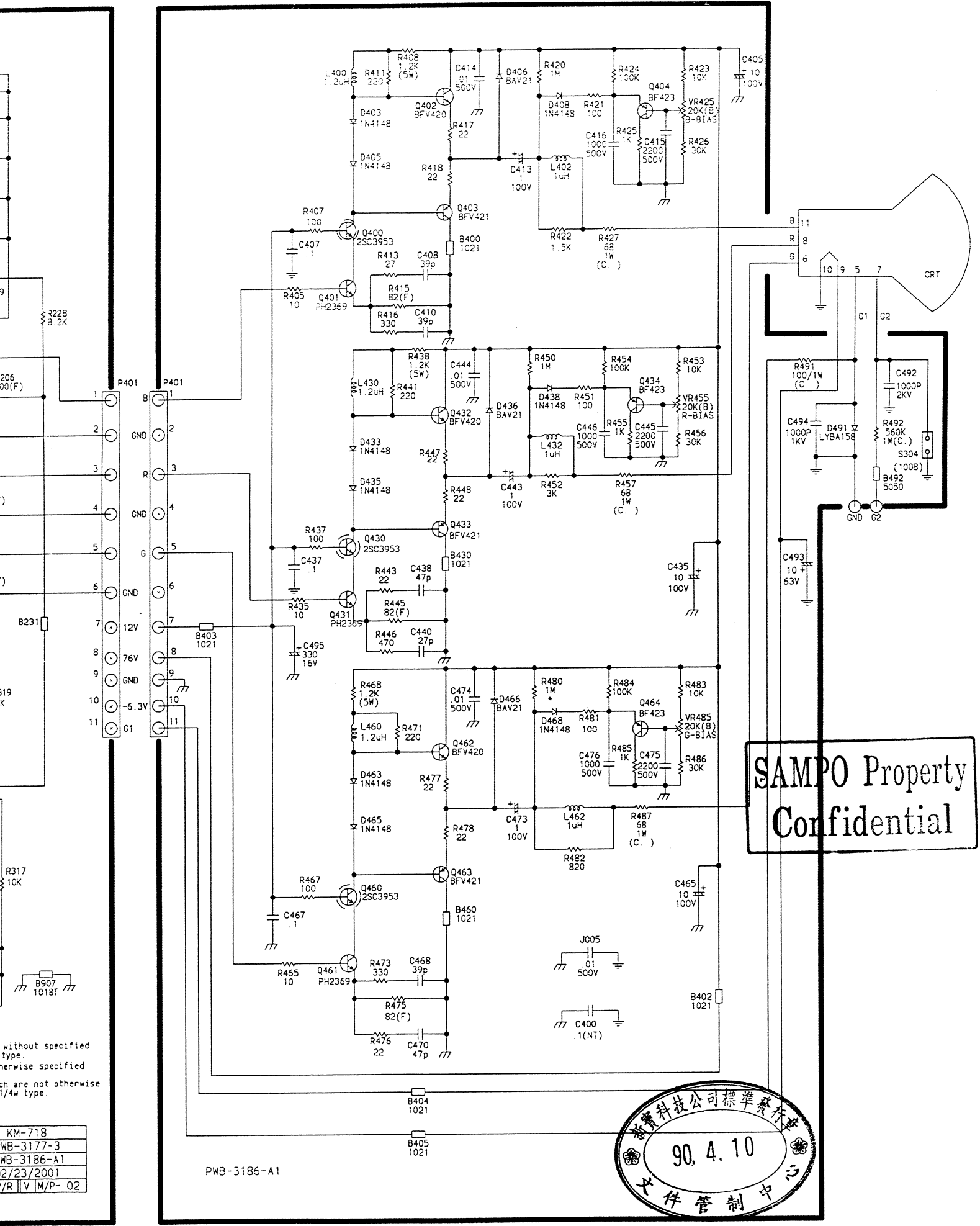
Note: All capacitors without specified value are 85°C type.
 All C's not otherwise specified are 50v type.
 All resistor with are not otherwise specified are 1/4w type.

核准核對
 Antonio
 23

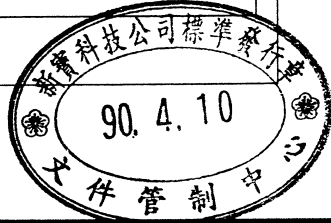


**SAMPO Property
Confidential**





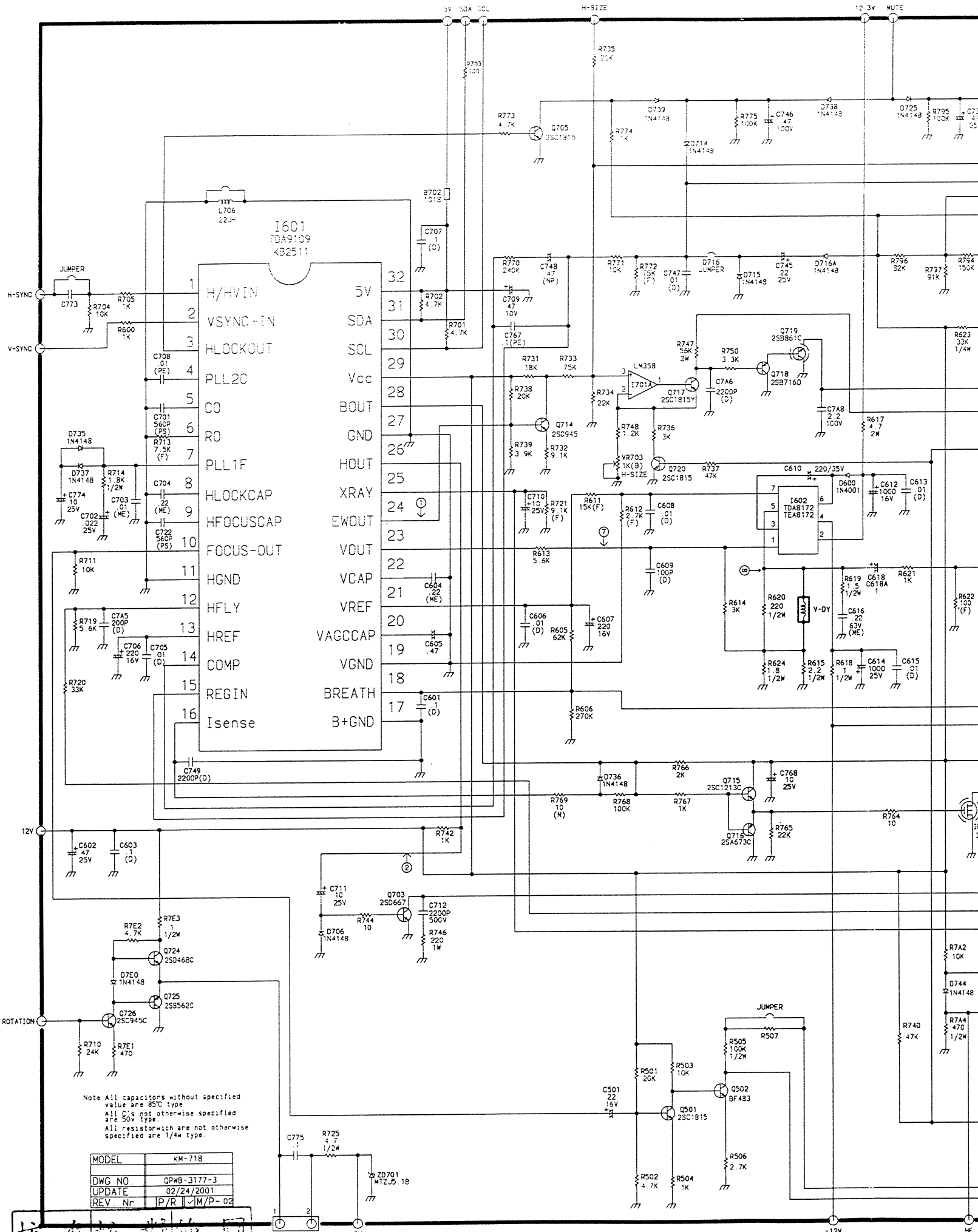
SAMPO Property
Confidential



without specified
type.
otherwise specified
are not otherwise
1/4w type.

KM-718
WB-3177-3
WB-3186-A1
2/23/2001
/R V M/P- 02

PWB-3186-A1



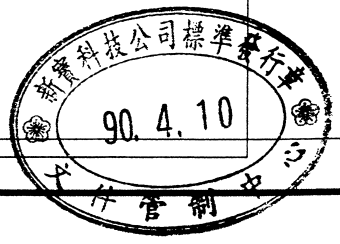
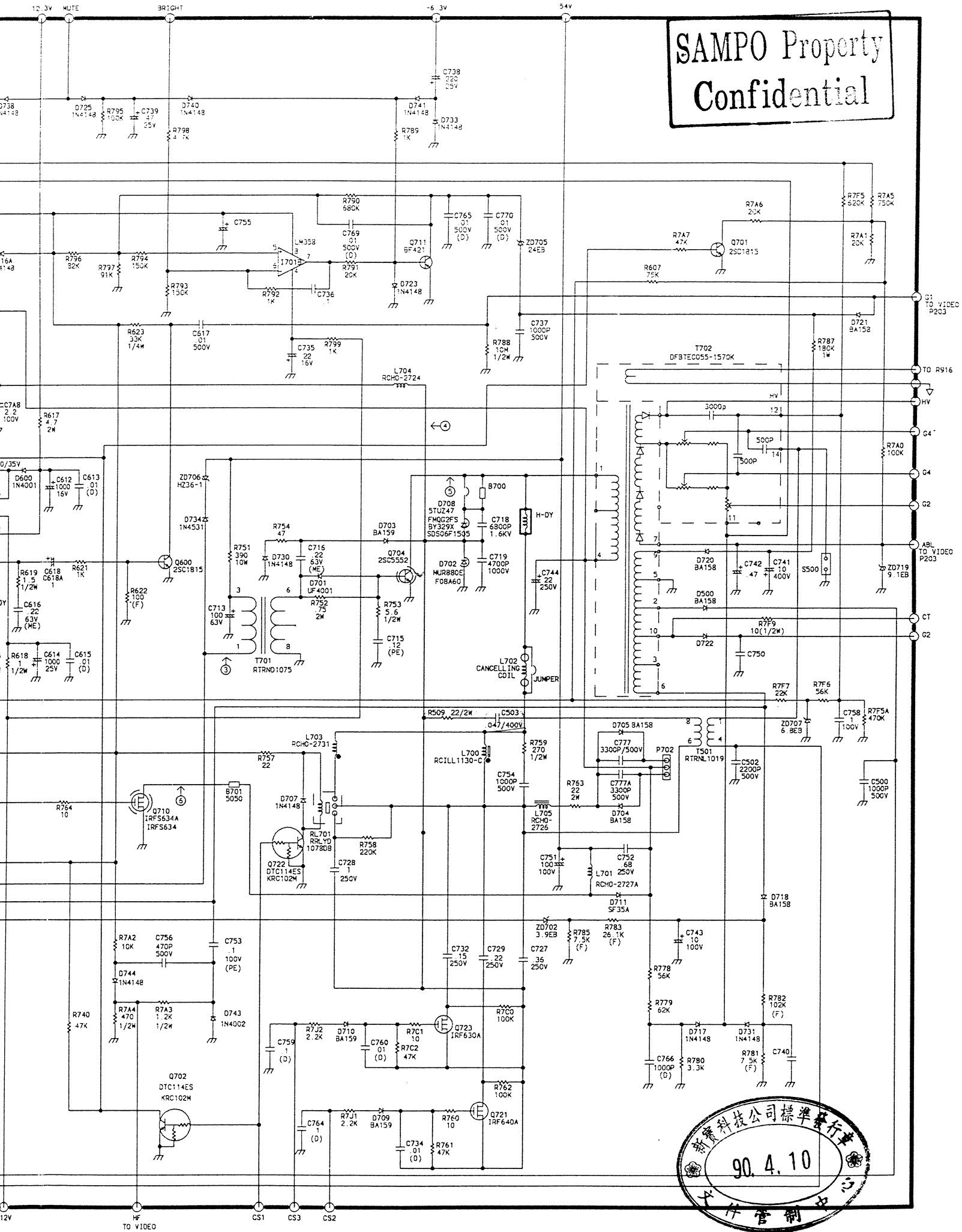
Note: All capacitors without specified value are 85°C type.
 All caps not otherwise specified are 50% type.
 All resistors which are not otherwise specified are 1/4W type.

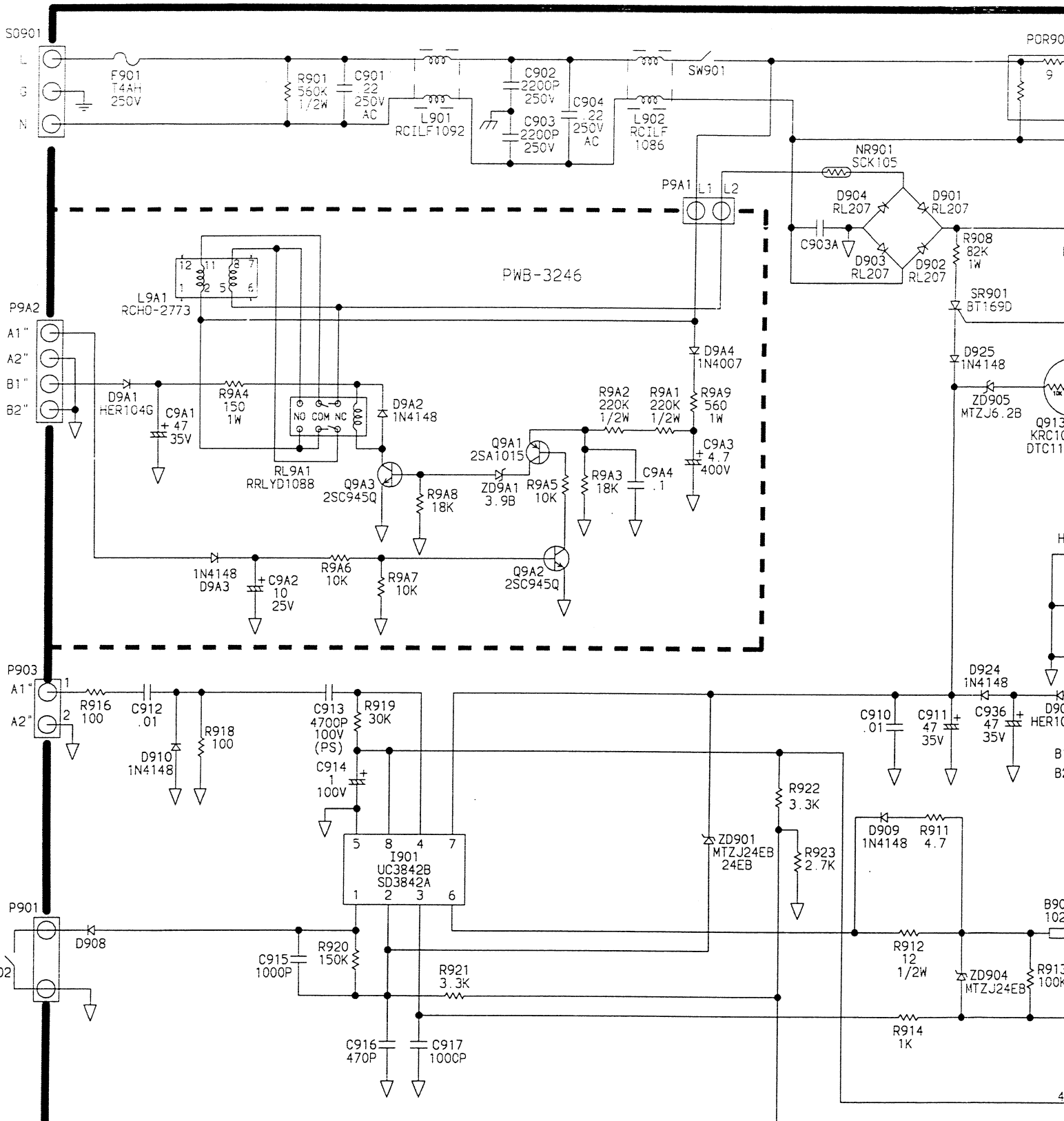
MODEL	KM-718
DWG NO	QPHB-3177-3
UPDATE	02/24/2001
REV No	P/R 1-1M/P-02

核准核對
 吳 Antonio

TO VIDEO

SAMPO Property
Confidential

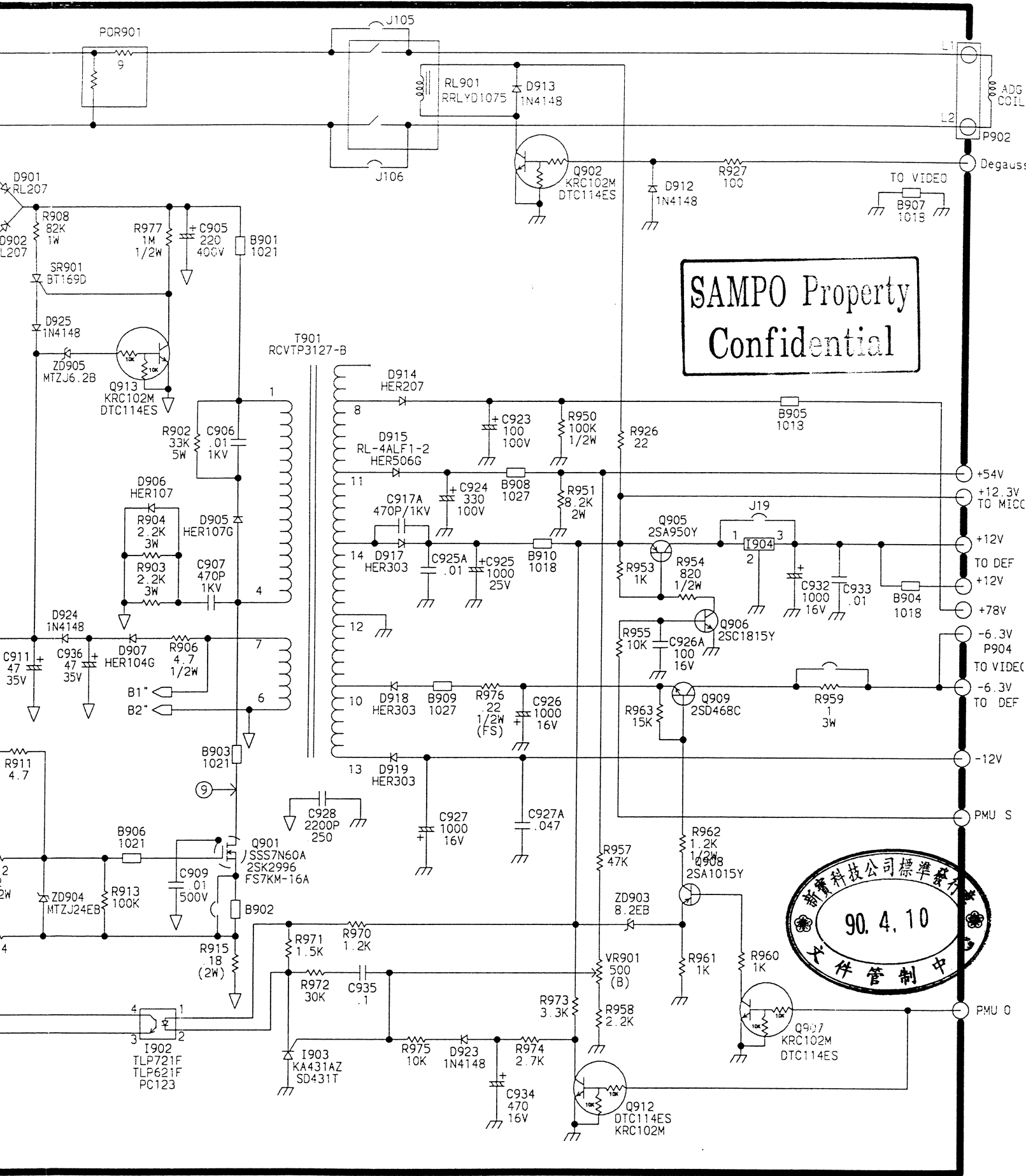




MODEL	KM-718
DWG NO.	PWB-3177-3
	PWB-3246
UPDATE	02/26/2001
REV. Nr.	I/P/R M/P-02

Note: All capacitors without specified value are 85°C type.
 All C's not otherwise specified are 50v type.
 All resistorwich are not otherwise specified are 1/4w type.

核准校對
 吳捷 Antonio
 26



SAMPO Property
Confidential

